

JET

JWL-1440VS WOOD LATHE

Original:

GB
Operating Instructions

Translations:

D
Gebrauchsanleitung

F
Mode d'emploi



JPW (Tool) AG

Tämplerlistrasse 5
CH-8117 Fällanden
Switzerland

Phone +41 44 806 47 48

Fax +41 44 806 47 58

www.jettools.com



M-719400M

2016 -06

**CE-Conformity Declaration
CE-Konformitätserklärung
Déclaration de conformité CE**

Product / Produkt / Produit:

Wood lathe
Drehmaschine
Tour à bois

JWL-1440VS
719400M

Brand / Marke / Marque:

JET

Manufacturer / Hersteller / Fabricant:

JPW (Tool) AG, Tämperlistrasse 5, CH-8117 Fällanden, Switzerland

We hereby declare that this product complies with the regulations
Wir erklären hiermit, dass dieses Produkt der folgenden Richtlinie entspricht
Par la présente, nous déclarons que ce produit correspond aux directives suivantes

*** 2006/42/EC**

Machinery Directive / Maschinenrichtlinie / Directive Machines

*** 2014/30/EU**

electro magnetic compatibility / elektromagnetische Verträglichkeit / compatibilité électromagnétique

designed in consideration of the standards
und entsprechend folgender zusätzlicher Normen entwickelt wurde
et été développé dans le respect des normes complémentaires suivantes

**** EN ISO 12100:2010, EN 60204-1:2006-A1:2009,
EN 61000-6-2:2005, EN 61000-6-4:2007+A1:2011**

Responsible for the Documentation / Dokumentations-Verantwortung / Responsabilité de Documentation:

Hansjörg Meier

Head Product-Mgmt / Leiter Produkt-Mgmt./ Resp. de Gestions Produits
JPW (Tool) AG



2016-06-17 Alain Schmid, General Manager

JPW (Tool) AG, Tämperlistrasse 5, CH-8117 Fällanden,
Schweiz / Suisse / Switzerland

GB - ENGLISH

Operating Instructions

Dear Customer,

Many thanks for the confidence you have shown in us with the purchase of your new JET-machine. This manual has been prepared for the owner and operators of a JET **JWL-1440VS wood lathe** to promote safety during installation, operation and maintenance procedures. Please read and understand the information contained in these operating instructions and the accompanying documents. To obtain maximum life and efficiency from your machine, and to use the machine safely, read this manual thoroughly and follow instructions carefully.

...Table of Contents

1. Declaration of conformity

2. Warranty

3. Safety

Authorized use
General safety notes
Remaining hazards

4. Machine specifications

Machine description
Technical data
Noise emission
Contents of delivery

5. Transport and start up

Transport and installation
Assembly
Mains connection
Dust collection
Starting operation

6. Machine operation

Correct operating position
Tool selection
Speed selection
Turning between centres
Bowl turning
Sanding and Finishing

7. Setup and adjustments

Changing spindle speeds
Headstock spindle lock
Headstock rotation
Headstock spindle index
Installing work holding
Adjusting tool rest
Adjusting tailstock

8. Maintenance and inspection

Adjusting bed clamping
Pulley drive lubrication
Changing belt and bearings

9. Trouble shooting

10. Environmental protection

11. Available accessories

1. Declaration of conformity

On our own responsibility we hereby declare that this product complies with the regulations* listed on page 2. Designed in consideration with the standards**.

2. Warranty

The Seller guarantees that the supplied product is free from material defects and manufacturing faults. This warranty does not cover any defects which are caused, either directly or indirectly, by incorrect use, carelessness, accidental damage, repair, inadequate maintenance or cleaning and normal wear and tear.

Guarantee and/or warranty claims must be made within twelve months from the date of purchase (date of invoice). Any further claims shall be excluded.

This warranty includes all guarantee obligations of the Seller and replaces all previous declarations and agreements concerning warranties.

The warranty period is valid for eight hours of daily use. If this is exceeded, the warranty period shall be reduced in proportion to the excess use, but to no less than three months.

Returning rejected goods requires the prior express consent of the Seller and is at the Buyer's risk and expense.

Further warranty details can be found in the General Terms and Conditions (GTC). The GTC can be viewed at www.jettools.com or can be sent by post upon request.

The Seller reserves the right to make changes to the product and accessories at any time.

3. Safety

3.1 Authorized use

This wood lathe is designed for turning wood only. Machining of other materials is not permitted and may be carried out in specific cases only after consulting with the manufacturer.

The workpiece must allow to safely be loaded and supported.

The proper use also includes compliance with the operating and maintenance instructions given in this manual.

The machine must be operated only by persons familiar with its operation and maintenance and who are familiar with its hazards.

The required minimum age must be observed.

The machine must only be used in a technically perfect condition.

When working on the machine, all safety mechanisms and covers must be mounted.

In addition to the safety requirements contained in these operating instructions and your country's applicable regulations, you should observe the generally recognized technical rules concerning the operation of woodworking machines.

Any other use exceeds authorization.

In the event of unauthorized use of the machine, the manufacturer renounces all liability and the responsibility is transferred exclusively to the operator

3.2 General safety notes

Woodworking machines can be dangerous if not used properly. Therefore the appropriate general technical rules as well as the following notes must be observed.



Read and understand the entire instruction manual before attempting assembly or operation.



Keep this operating instruction close by the machine, protected from dirt and humidity, and pass it over to the new owner if you part with the tool.

No changes to the machine may be made.

Daily inspect the function and existence of the safety appliances before you start the machine.

Do not attempt operation in this case, protect the machine by unplugging the mains cable.

Before operating the machine, remove tie, rings, watches, other jewellery, and roll up sleeves above the elbows. Remove all loose clothing and confine long hair.

Wear safety shoes; never wear leisure shoes or sandals.

Always wear the approved working outfit:

- safety goggles
- ear protection
- dust protection



Do not wear gloves while operating this machine.



Install the machine so that there is sufficient space for safe operation and workpiece handling.

Keep work area well lit.

The machine is designed to operate in closed rooms and must be placed stable on firm and levelled table surface.

Make sure that the power cord does not impede work and cause people to trip.

Keep the floor around the machine clean and free of scrap material, oil and grease.

Stay alert, give your work undivided attention.

Use common sense. Do not operate the machine when you are tired.

Do not operate the machine under the influence of drugs, alcohol or any medication. Be aware that medication can change your behaviour.



Keep an ergonomic body position.

Maintain a balanced stance at all times.

Never reach into the machine while it is operating or running down.



Never leave a running machine unattended. Before you leave the workplace switch off the machine.

Keep children and visitors a safe distance from the work area.

Do not operate the electric tool near inflammable liquids or gases.

Observe the fire fighting and fire alert options, for example the fire extinguisher operation and place.

Do not use the machine in a damp environment and do not expose it to rain.

Wood dust is explosive and can also represent a risk to health.

Dust from some tropical woods in particular, and from hardwoods like beach and oak, is classified as a carcinogenic substance.

Always use a suitable dust collection device

Before machining, remove any nails and other foreign bodies from the workpiece.

Make sure to guide and hold the chisel with both hands safe and tight during machining.

Work only with well sharpened tools.

Machine only stock which is chucked securely on the machine, always check before switching the machine on.

Provide workpieces with centre holes before clamping between centres.

Work large and unbalanced workpieces at low spindle speed only.

When sanding, remove the tool rest from the machine.

Workpieces with cracks may not be used.

Remove the chuck key or dowel pins before turning the machine on.

Always close the belt cover.

Specifications regarding the maximum or minimum size of the workpiece must be observed.

Test each set-up by revolving the work by hand to insure it clears the tool rest and bed. Check setup at the lowest speed before you increase to the operating speed.

Do not remove chips and workpiece parts until the machine is at a standstill.

Never stop work pieces with the hand during run out.

Do not attempt to engage the spindle lock pin until the spindle has stopped.

Never take measurements on a rotating workpiece.

Do not stand on the machine.

Connection and repair work on the electrical installation may be carried out by a qualified electrician only.



Have a damaged or worn power cord replaced immediately.

Make all machine adjustments or maintenance with the machine unplugged from the power source.



3.3 Remaining hazards

When using the machine according to regulations some remaining hazards may still exist.

The rotating workpiece can cause injury.

Workpieces that are inhomogeneous or weak can explode when being processed due to centrifugal force.

Only process selected woods without defects.

Unbalanced workpieces can be hazardous.

Injuries can occur when feeding tooling, if tool supports are not correctly adjusted or if turning tools are blunt.

Risk of kickback. The tooling is caught by the rotating workpiece and thrown back to the operator.

Thrown workpieces and workpiece parts can lead to injury.

Dust and noise can be health hazards. Be sure to wear personal protection gear such as safety goggles and dust mask. Use a suitable dust collection system.

The use of incorrect mains supply or a damaged power cord can lead to injuries caused by electricity.

4. Machine specifications

4.1 Machine description

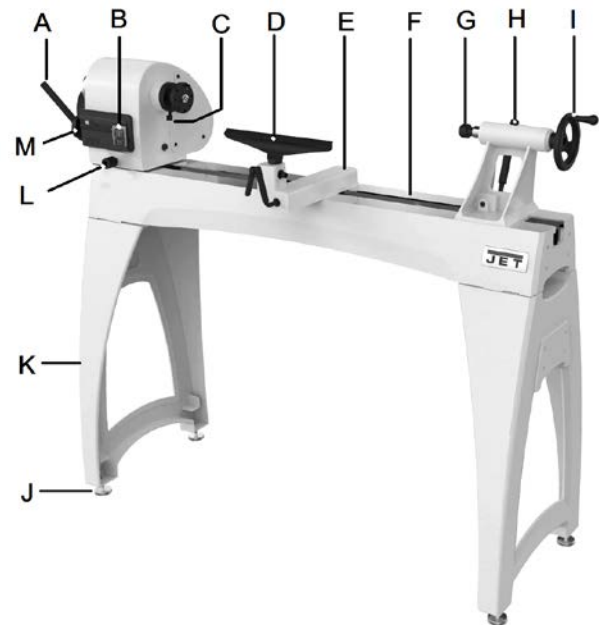


Fig 1

- A Head stock slide/swivel lock handle
- B Main ON/OFF switch
- C Spindle lock
- D 300mm tool rest
- E Tool rest base
- F Machine bed
- G Live centre
- H Tailstock lock handle
- I Tailstock hand wheel
- J Levelling feet (optional)
- K Cast iron legs (optional)
- L Head stock swivel index
- M Speed control knob, speed display

4.2 Technical data

| | |
|---------------------------------|------------------------------------|
| Swing over bed | 370mm |
| Centre distance | 1016mm |
| Spindle speed range | 350-2500 rpm |
| Headstock spindle nose | M33x3.5 |
| Headstock spindle taper | MT 2 |
| Spindle index lock | 36 x 10° |
| Headstock rotation | 0°, 30°, 60°, 90°, 120°, 180°, 270 |
| Tailstock spindle taper | MT 2 |
| Tailstock hole diameter | 9mm |
| Tailstock ram travel | 108mm |
| Centre above floor | 1120mm |
| Overall, lathe only (LxWxH) | 1880x460x460mm |
| Net weight | 100 kg |
| Overall, with leg stand (LxWxH) | 1880x460x1250mm |
| Net weight | 165 kg |

| | |
|------------------------------|----------------------|
| Mains | 1~230V, PE, 50Hz |
| Output power | 0,75 kW (1HP) S1 |
| Reference current | 5.5 A |
| Extension cord (H07RN-F): | 3x1,5mm ² |
| Installation fuse protection | 10A |
| Isolation class | I |

4.3 Noise emission

Acoustic pressure level (EN ISO 11202):

| | |
|--------------|----------------|
| Idling | LpA 72,5 dB(A) |
| In operation | LpA 78,4 dB(A) |

The specified values are emission levels and are not necessarily to be seen as safe operating levels.

As workplace conditions vary, this information is intended to allow the user to make a better estimation of the hazards and risks involved only.

4.4 Content of delivery

- 300 mm tool rest
- Tool rest extension
- 75mm face plate
- Spur centre and tooling knockout bar
- Live centre
- Operating tools
- Assembly kit
- Operating manual
- Spare parts list.

Cast iron leg set (JET Option # 719492) including levelling feet

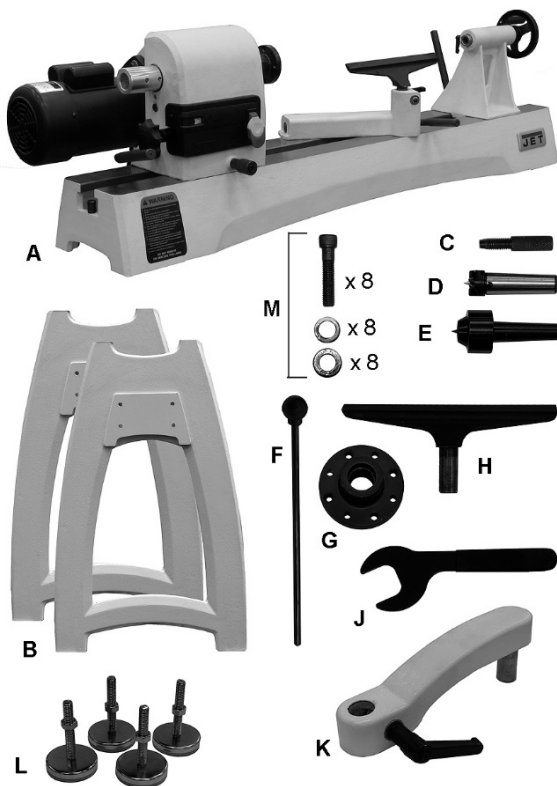


Fig 2

5. Transport and start up

5.1 Transport and installation

The machine is designed to operate in closed rooms and must be placed stable on firm and levelled surface.

For safety reasons, the machine must be bolted to the work bench or to the optional leg stand.

The bed has eight 5/16"-18UNC thread hole (Fig 3).

Four 5/16"-18UNC x 60mm grub screws, washers and nuts are supplied with the machine for a possible work bench mount.

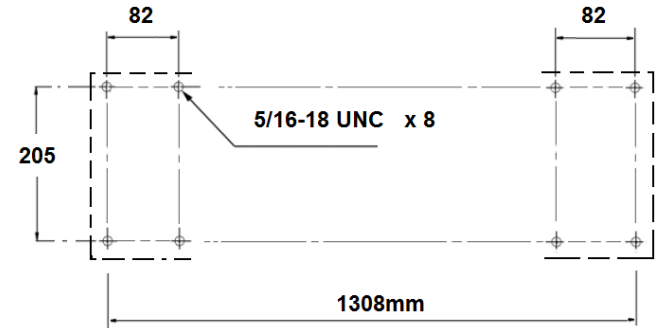


Fig 3

For packing reasons the machine is not completely assembled

5.2 Assembly

If you notice transport damage while unpacking, notify your supplier immediately. Do not operate the machine!

Dispose of the packing in an environmentally friendly manner.

Clean all rust protected surfaces with a mild solvent.

Attach the leg stand: (JET Option # 719402)

At this point the headstock, tailstock and tool rest should be removed.

Unscrew the stud (N, Fig 4) from each end of bed.

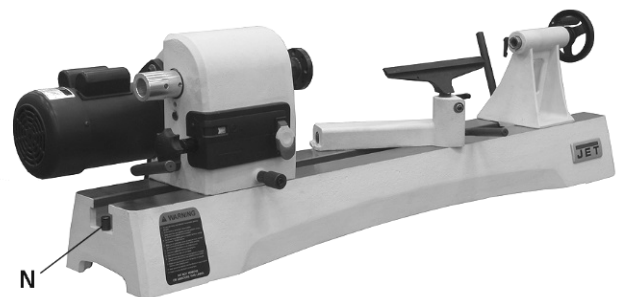


Fig 4

Remove headstock, tailstock and tool rest support from bed.

The machine bed is heavy! With the help of a second person. Carefully turn bed upside down. Place a mat or cardboard beneath it to prevent scratching the bed ways.

Install legs with eight screws, lock washers and flat washers. Tighten screws firmly with 6mm hex key. (see Fig 5).



Fig 5

Install the four levellers. These can be adjusted later. (see Fig 6)



Fig 6

With the help of a second person, raise bed and leg assembly right-side up.

Rotate the levellers as needed to establish level for the lathe. Tighten the hex nut on each leveller against the leg casting.

Now headstock, tool rest and tailstock can be installed again (Fig 7).



Fig 7

Install both studs (N, Fig 4).

Stand shelf:

You can make an extra shelf that rests between the legs if you wish (see Fig 8).

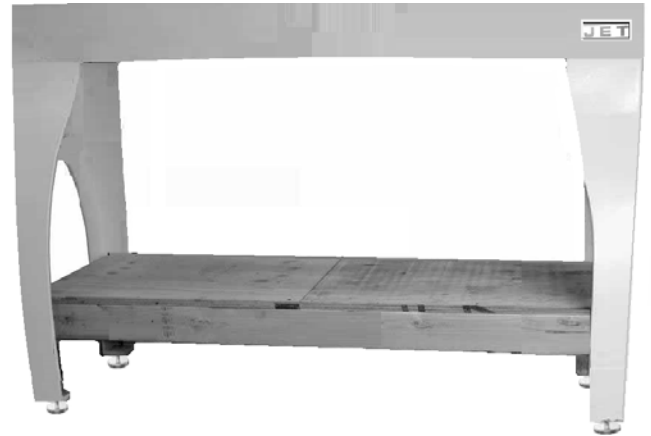


Fig 8

Installing bed extension: (JET Option # 719401)

The bed extension can be mounted to the upper or lower holes of the lathe.

Mounting the extension to the lower holes allows use of the tool support during outboard turning (Fig 9).



Fig 9

Mounting in upper holes increases the spindle length capacity of the lathe.

Have an assistant hold bed extension flush to end of lathe bed, and insert four screws with washers (P, Fig 10).

Snug screws just enough to hold bed extension to lathe bed.

Unscrew stop bolt (N) from lathe bed and insert it into hole at end of bed extension.

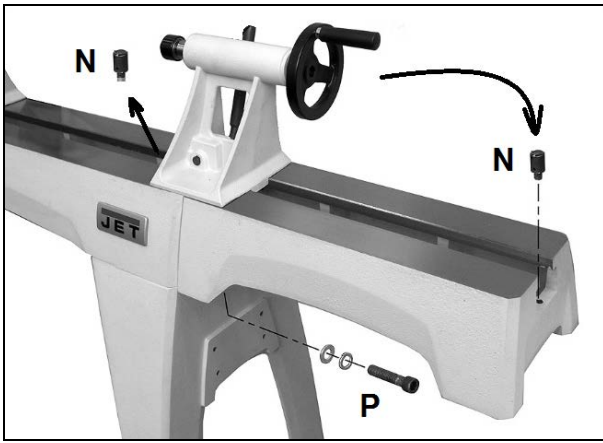


Fig 10

Top surfaces and inside ways must be flush to allow smooth movement of tailstock.

Slide tailstock over joint where beds meet, so that clamping nut is centred over joint. Lock tailstock clamping handle; this will align the beds.

Securely tighten screws (P) in bed extension.

5.3 Mains connection

Mains connection and any extension cords used must comply with applicable regulations.

The mains voltage must comply with the information on the machine licence plate.

The mains connection must have a 10 A surge-proof fuse.

Only use power cords marked H07RN-F

Connections and repairs to the electrical equipment may only be carried out by qualified electricians.

5.4 Dust collection

Use a suitable dust collection and filtration system to avoid a high dust concentrations in the air.

5.5 Starting operation

You can start the machine with the green ON-button. The red OFF-button on the main switch (B, Fig 1) stops the machine.

6. Machine operation

6.1 Correct operating position

Always support the tool on the tool rest and guide with the palm of your hand keeping your fingers closed. (see Fig 11 and 12)

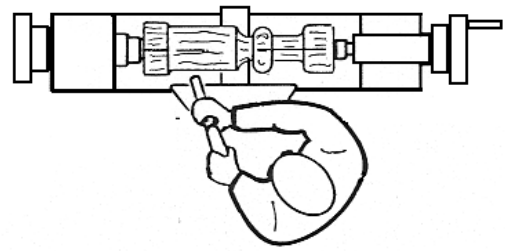


Fig 11

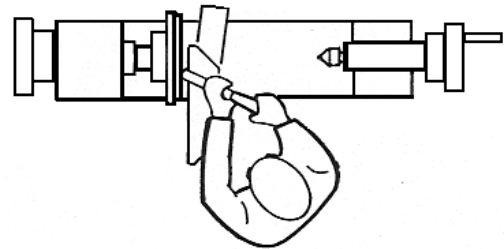


Fig 12

6.2 Tool selection:

Successful wood turning does not result from high speeds, but rather, from the correct use of turning tools.

A perfect and sharp wood turning tool is a precondition for professional wood-turning.

Major tools:

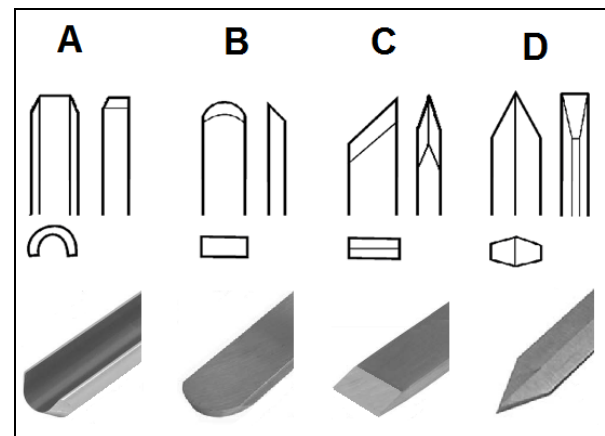


Fig 13

Gouge (A, Fig 13), used for rapidly cut raw wood into round stock, for turning bowls and plates, for turning beds, coves and other detail (Fig 14).

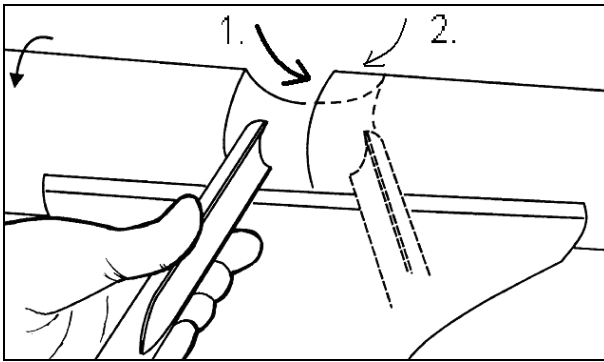


Fig 14

Scraper (B, Fig 13), used for diameter scraping and to reduce ridges.

Skew Chisel (C, Fig 13), used to make vees, beads, etc. (Fig 15). The bevel of skew is parallel to the cut.

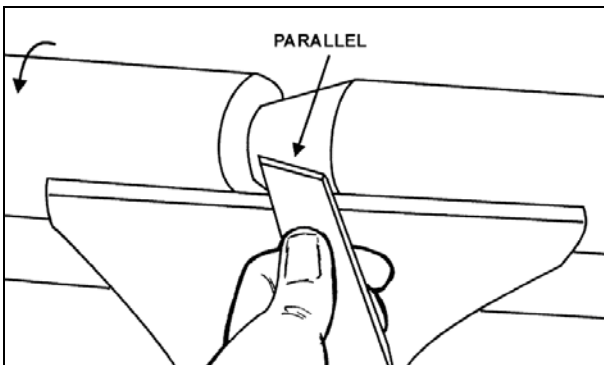


Fig 15

Parting tool (D, Fig 13), used to cut directly into the material, or to make a cut off. Also used for scraping and to set diameters.

6.3 Speed selection:

Use low speeds for roughing and for large diameter work. If vibrations occur, stop the machine and correct the cause. See speed recommendations.

Speed recommendations

| Workpiece Diameter mm | Roughing RPM | General Cutting RPM | Finishing RPM |
|-----------------------|--------------|---------------------|---------------|
| < 50 | 1250 | 2500 | 2500 |
| 50-100 | 700 | 1600 | 2500 |
| 100-150 | 480 | 1100 | 1600 |
| 150-200 | 400 | 900 | 1250 |
| 200-250 | 350 | 600 | 1100 |
| 250-300 | 350 | 480 | 900 |
| 300-350 | 350 | 350 | 600 |

6.4 Turning between centres:

With a ruler locate and mark the centre on each end. Put a dimple in each end of the stock. Extremely hard woods may require kerfs cut into the spur drive end of stock (see Fig 16).

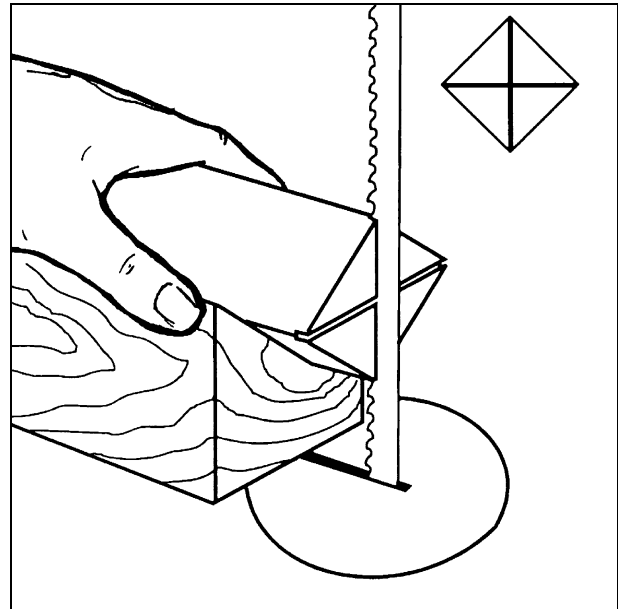


Fig 16

The spur drive centre locks into the spindle taper and can be removed with the knockout rod (Fig 17)

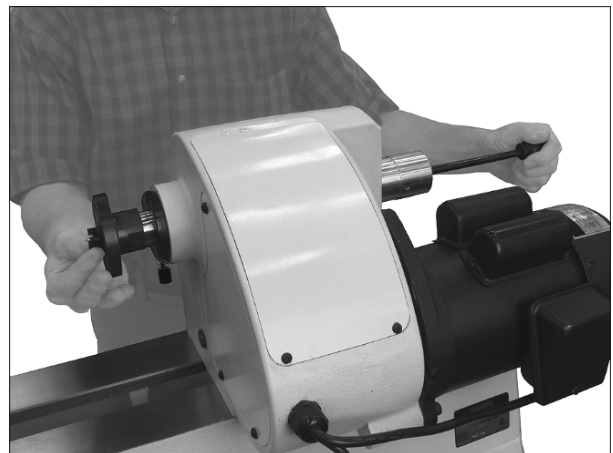


Fig 17

The live centre locks into the tail stock taper and can be removed by rotating the handwheel counter clockwise (Fig 18)

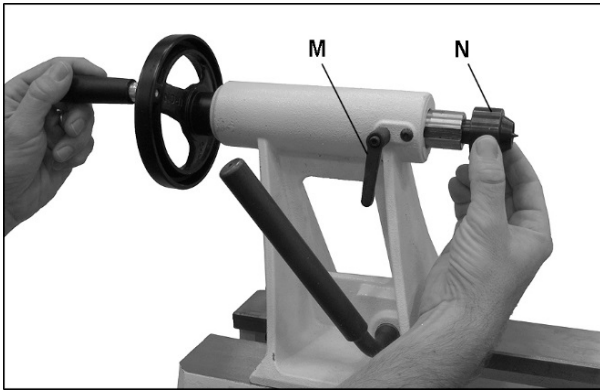


Fig 18

Mount the centred workpiece between the spur drive centre and the tailstock mounted live centre (Fig 19)



Fig 19

Turn the tailstock hand wheel until the live centre well penetrates the workpiece. Reverse the hand wheel by one quarter turn and lock the tailstock spindle (M, Fig 18)

Turn the workpiece by hand to see if it rests securely between centres and can be rotated freely.

Position the tool rest as close to the workpiece as possible. Tighten locking handles.

For turning between centres the tool rest is set approximately 3mm higher than centre line (Fig 20, 21 and 22).

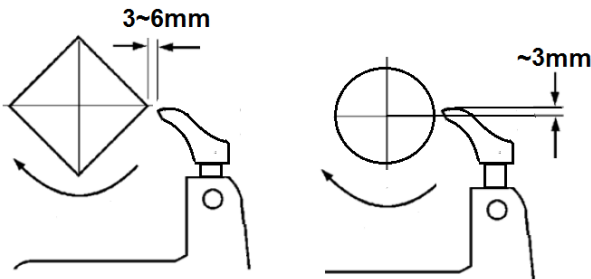


Fig 20



Fig 21



Fig 22

6.5 Bowl turning

Turn outside of bowl between centres.

Turn a short tenon the size of the hole in the faceplate (T, Fig 23). This will allow centring the workpiece.

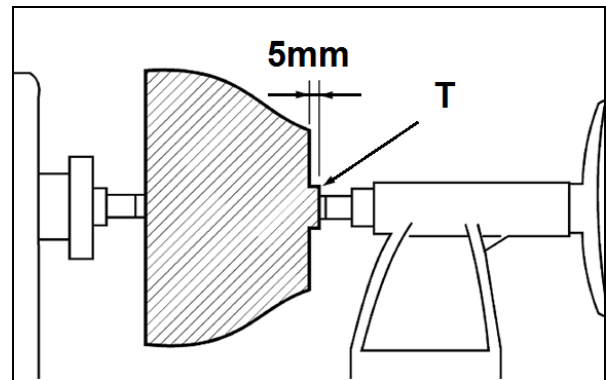


Fig 23

Mount the workpiece (A, Fig 24) directly to the face plate using 4 wood screws (C) from the back. Be careful to use screws short enough not to interfere with the cutting process but long enough to hold the workpiece securely to the face plate.

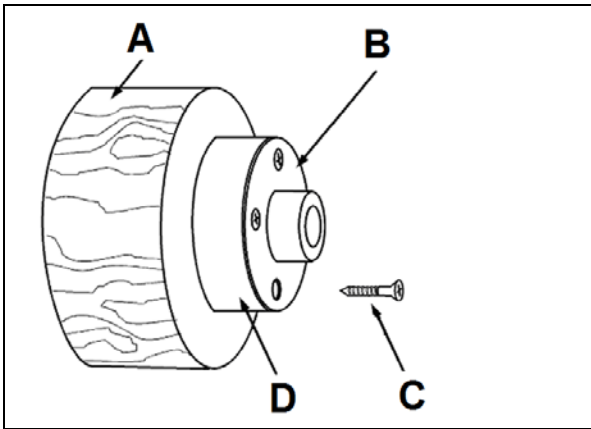


Fig 24

If screw mounting is not allowed at all, the work may be glued to a backing block (D) and the backing block screwed to the face plate. A piece of paper in the glue joint will prevent damaging the wood when separated later.

Mount the face plate with the workpiece already attached onto the spindle nose thread and hand tighten.

If reversing spindle rotation, make sure face plate, chuck or other work holding is secured with the set screws, to avoid threading loose.

Move tailstock away, remove centre from tailstock to prevent injury.

Turn the workpiece by hand to see if it rests securely and can be rotated freely.

Position the tool rest as close to the workpiece as possible. Tighten locking handles.

For face plate turning the tool rest is set slightly lower than centre line.

Caution:

Cut with your chisel on the left side of the turning centre only.

Use left hand to control cutting edge of gouge, while right hand swings tool handle around toward your body (Fig 25).

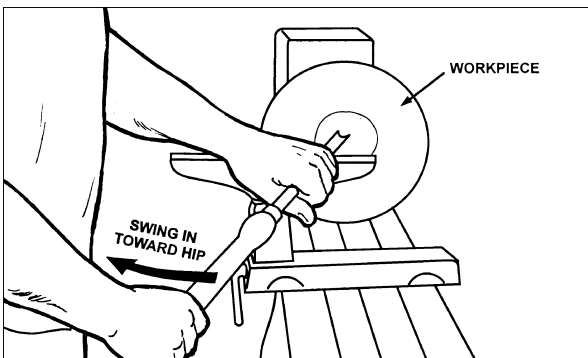


Fig 25

Try to make one, very light continuous movement from the rim to the bottom of the bowl to ensure a clean, sweeping curve through the workpiece.

Move tool support to the exterior to re-define bottom of bowl.

6.6 Sanding and Finishing:

Remove the tool rest and begin with a fine grit sandpaper (120 grit) and progress through each grit, using only light pressure.

Use power sanding techniques to avoid concentric sanding marks.

Finish sanding with 220 grit.

Apply first coat of finish. Allow to dry before sanding again with 320 or 400 grit sandpaper.

Turn lathe back on and make a separation cut through the base. Stop at about dia. 80mm and use a fine tooth saw to separate the bowl from the waste.

Apply additional finish coats and allow to dry before buffing.

7. Setup and adjustments

General note:

Setup and adjustment work may only be carried out after the machine is protected against accidental starting by pulling the mains plug.

7.1 Changing spindle speeds

Rotate knob (B, Fig 26) to set speed, which is displayed as RPM (revolutions per minute) in the adjoining window (C).

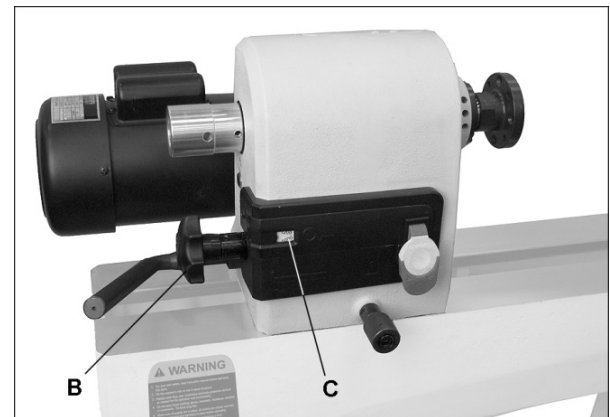


Fig 26

Caution:

Never change speeds without the motor running. Damage to the variable speed pulleys may result.

7.2 Headstock spindle lock

Push spindle lock pin (P, Fig 27), and rotate the spindle slightly until the pin goes entirely into the recess. Continue to hold spindle lock pin in the recess.

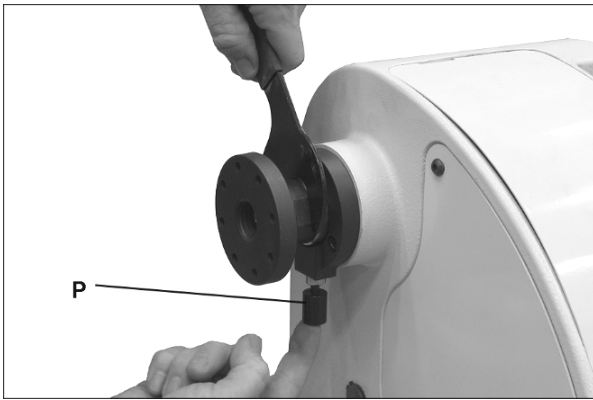


Fig 27

Caution:

Never press the spindle lock while the spindle is turning!

7.3 Headstock Rotation

Unscrew the index plunger (B, Fig 28) counter clockwise.

Loosen the headstock lock handle (A) and pull the index plunger (B) to turn the headstock.

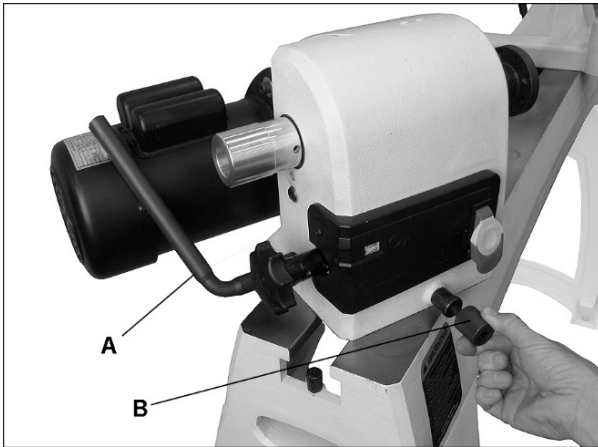


Fig 28

For larger workpieces the head stock will have to be turned 90°, the extension added to the tool rest.

Caution: always operate lathe with the headstock locked in position.

The headstock can be positioned anywhere along the machine bed.

7.4 Headstock spindle index

Disconnect the machine from the power source (unplug)

Thread indexing pin (L, Fig 29) into the indexing hole.

There are 12 holes in the spindle 30° apart.

There are 3 holes in the headstock casting that accept the indexing pin. These holes are 20° apart.

The combination of these holes will allow you to locate your workpiece in 10° increments.

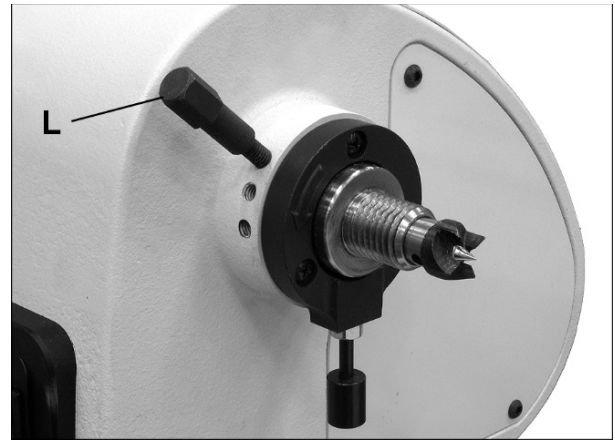


Fig 29

7.5 Installing work holding

The faceplate is used for turning bowls. There are a number of holes for mounting the workpiece. Thread the faceplate onto the spindle in a clockwise direction, and tighten two setscrews (E, Fig 30).

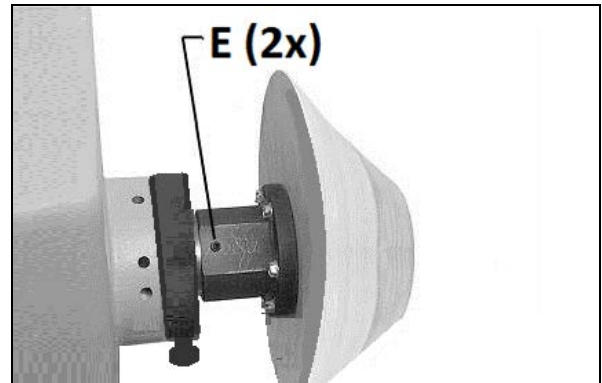


Fig 30

Remove the faceplate by loosening two set screws. Push in the spindle lock and use the provided wrench on faceplate flats.

7.6 Adjusting tool rest

A 300mm tool rest is provided with your lathe. It is designed to allow adjustment for height and position.

Loosen locking handle on tool rest base (G, Fig 31) to slide base forward or back, and to angle it to the bed. Tighten locking handle firmly before operating lathe.

Loosen handle (H) to raise or lower tool rest and angle it to the work. Tighten handle before operating lathe.

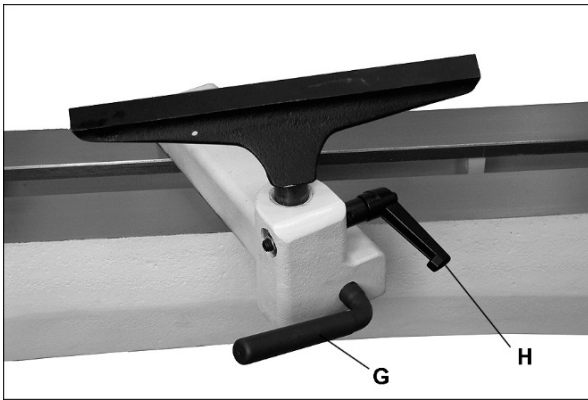


Fig 31

Tool rest extension:

The extension (J, Fig 32) mounts to the tool rest base and offers greater reach for the tool rest when turning off the bed using the headstock at an angle, as shown.

Make sure the clamp bushings (K) are pulled apart sufficiently to accept the post of the extension.

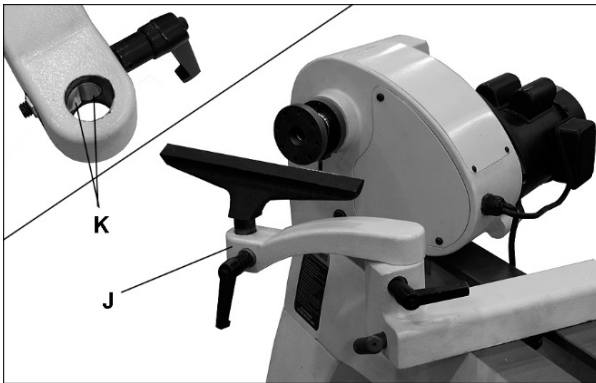


Fig 32

7.7 Adjusting tailstock

Turn the hand wheel (R, Fig 33) clockwise to move tailstock spindle forward. Lock tailstock spindle with the indexable knob (Q).

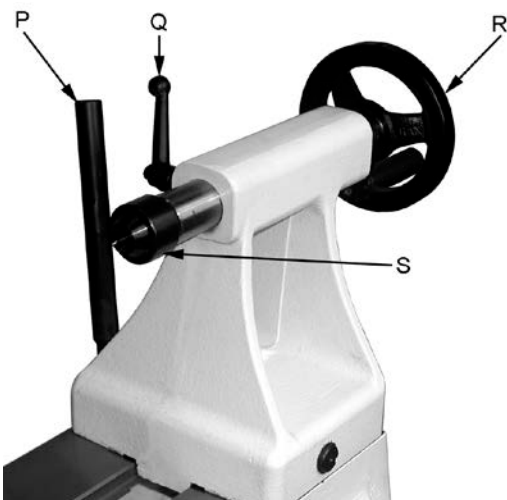


Fig 33

The handle (P) locks the tailstock in position on the bed.

The live centre (S) can be ejected by turning the hand wheel counter-clockwise.

The live centre pin can be removed to allow deep hole drilling operations.

8. Maintenance and inspection

General notes:

Maintenance, cleaning and repair work may only be carried out after the machine is protected against accidental starting by pulling the mains plug.

Clean the machine regularly.

Inspect the proper function of the dust collection daily.

Defective safety devices must be replaced immediately.

Repair and maintenance work on the electrical system may only be carried out by a qualified electrician.

8.1 Adjusting bed clamping

If adjustment is needed, remove the stud (N, Fig 4).

Slide the headstock, tailstock or toolrest to the edge of the bed and slightly turn the hex nut (F, Fig 34).

Test the handle to make sure it securely locks.

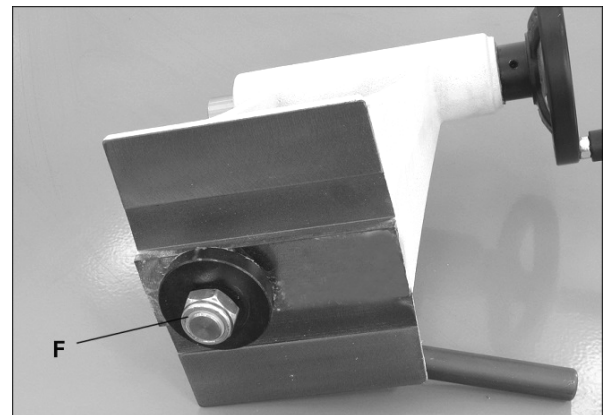


Fig 34

8.2 Pulley drive lubrication

After every 200 working hours (every 30 working days).

Remove the two headstock sheetmetal covers.

Use a grease gun to insert a good quality, all-purpose grease into the fitting on the motor shaft (Figure 35) and the groove of the main spindle (Figure 36).

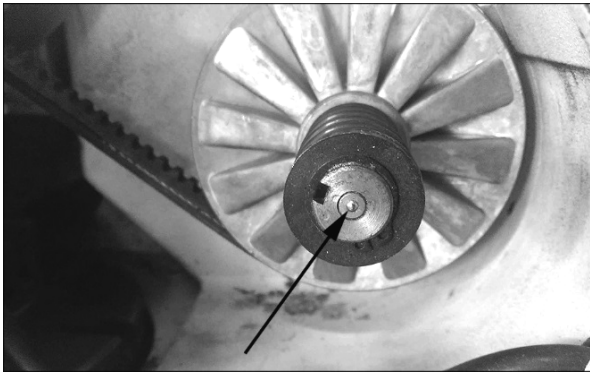


Fig 35

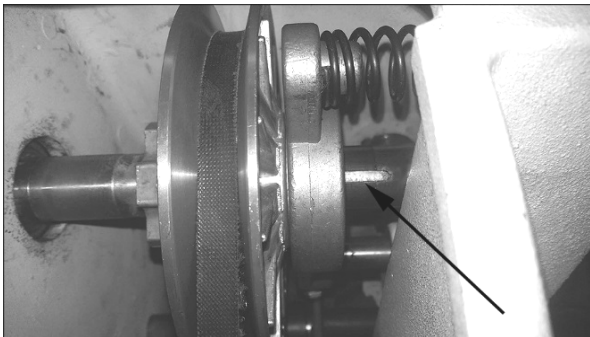


Fig 36

Reinstall the headstock covers.

8.3 Changing belt and bearings

Changing belt and bearings can be a difficult task. Remove headstock and take into a repair station for servicing.

9. Trouble shooting

Motor doesn't start

- *No electricity-
check mains and fuse.
- *Defective switch, motor or cord-
consult an electrician.

Machine vibrates excessively

- *Stand on uneven floor-
adjust stand for even support.
- *Workpiece is not properly centred-
- *The speed is too high-

Tailstock moves

- *Cam lock nut needs adjusting-
Tighten cam lock nut.
- *Bed and tailstock mating surfaces greasy or oily-
Remove tailstock and clean surfaces
- *Excessive pressure applied-
Slide tailstock to right side of lathe against stop (N, Fig 10).
Move headstock into position and then apply pressure.

10. Environmental protection

Protect the environment.

Your appliance contains valuable materials which can be recovered or recycled. Please leave it at a specialized institution.

11. Available accessories

Stock number 719402

Cast iron legs with levelling feet



Stock number 719401

Bed extension 508mm with tool post extension



Stock number 719001

Tailstock swing away



Stock number 708331

Live centre MT2

Stock number 708343K

Drill chuck 13 mm, with tapered mandrel MT-2

Stock number 709911

Face plate 75mm, M33x3,5

Stock number 709942

Four toothed spur centre MT-2

Stock number 708332

Face shield

Refer to the JET-Pricelist
for various tools and work holding.

DE - DEUTSCH

Gebrauchsanleitung

Sehr geehrter Kunde,

vielen Dank für das Vertrauen, welches Sie uns beim Kauf Ihrer neuen JET-Maschine entgegengebracht haben. Diese Anleitung ist für den Inhaber und die Bediener zum Zweck einer sicheren Inbetriebnahme, Bedienung und Wartung der **JET Drechselbank JWL-1440VS** erstellt worden. Beachten Sie bitte die Informationen dieser Gebrauchsanleitung und der beiliegenden Dokumente. Lesen Sie diese Anleitung vollständig, insbesondere die Sicherheitshinweise, bevor Sie die Maschine zusammenbauen, in Betrieb nehmen oder warten. Um eine maximale Lebensdauer und Leistungsfähigkeit Ihrer Maschine zu erreichen befolgen Sie bitte sorgfältig die Anweisungen.

Inhaltsverzeichnis

1. Konformitätserklärung

2. Garantieleistungen

3. Sicherheit

Bestimmungsgemäße Verwendung
Allgemeine Sicherheitshinweise
Restrisiken

4. Maschinenspezifikation

Maschinenbeschreibung
Technische Daten
Schallemission
Lieferumfang

5. Transport und Inbetriebnahme

Transport und Aufstellung
Montage
Elektrischer Anschluss
Absaug Anschluss
Inbetriebnahme

6. Betrieb der Maschine

Richtige Arbeitsstellung
Drehstuhl Auswahl
Drehzahlwahl
Drehen zwischen Spitzen
Drehen von Schalen und Tellern
Schleifen und Imprägnieren

7. Rüst- und Einstellarbeiten

Drehzahlwechsel
Spindel Blockierung
Spindelstock Schwenkung
Spindelteilung
Spannmittel Montage
Handstahlaufgabe Einstellung
Reitstock Einstellung

8. Wartung und Inspektion

Klemmexcenter-Einstellung
Riementrieb Schmierung
Riemen- und Lagerwechsel

9. Störungsabhilfe

10. Umweltschutz

11. Lieferbares Zubehör

1. Konformitätserklärung

Wir erklären in alleiniger Verantwortlichkeit, dass dieses Produkt mit den auf Seite 2 angegebenen Richtlinien* übereinstimmt.

Bei der Konstruktion wurden folgende Normen** berücksichtigt.

2. Garantieleistungen

Der Verkäufer garantiert, dass das gelieferte Produkt frei von Material- und Fertigungsfehlern ist. Diese Garantie trifft nicht auf jene Defekte zu, welche auf direkten oder indirekten, nicht fachgerechten Gebrauch, Unachtsamkeit, Unfallschaden, Reparatur, mangelhafte Wartung bzw. Reinigung sowie normalen Verschleiß zurückzuführen sind.

Garantie- bzw. Gewährleistungsansprüche müssen innerhalb von 12 Monaten ab dem Verkaufsdatum (Rechnungsdatum) geltend gemacht werden. Weitergehende Ansprüche sind ausgeschlossen.

Die vorliegende Garantie umfasst sämtliche Garantieverpflichtungen seitens des Verkäufers und ersetzt alle früheren Erklärungen und Vereinbarungen betreffend Garantien.

Die Garantiefrist gilt für eine tägliche Betriebszeit von 8 Stunden. Wird diese überschritten, so verkürzt sich die Garantiefrist proportional zur Überschreitung, jedoch höchstens auf 3 Monate.

Die Rücksendung beanstandeter Ware bedarf der ausdrücklichen vorherigen Zustimmung vom Verkäufer und geht auf Kosten und Gefahr des Käufers.

Die ausführlichen Garantieleistungen sind den Allgemeinen Geschäftsbedingungen (AGB) zu entnehmen. Die AGB sind unter www.jettools.com einzusehen oder werden auf Anfrage per Post zugestellt.

Der Verkäufer behält sich das Recht vor, jederzeit Änderungen am Produkt und Zubehör vorzunehmen.

3. Sicherheit

3.1 Bestimmungsgemäße Verwendung

Diese Drechselbank ist ausschließlich zum Drehen von Holz geeignet.

Die Bearbeitung anderer Werkstoffe ist nicht zulässig bzw. darf in Sonderfällen nur nach Rücksprache mit dem Maschinenhersteller erfolgen.

Es dürfen nur Werkstücke bearbeitet werden welche sicher zugeführt und gespannt werden können.

Die bestimmungsgemäße Verwendung beinhaltet auch die Einhaltung der vom Hersteller angegebenen Betriebs- und Wartungsanweisungen.

Die Maschine darf ausschließlich von Personen bedient werden, die mit Betrieb und Wartung vertraut und über die Gefahren unterrichtet sind.

Das gesetzliche Mindestalter ist einzuhalten.

Neben den in der Gebrauchsanleitung enthaltenen Sicherheitshinweisen und den besonderen Vorschriften Ihres Landes sind die für den Betrieb von Holzbearbeitungsmaschinen allgemein anerkannten fachtechnischen Regeln zu beachten.

Jeder darüber hinaus gehende Gebrauch gilt als nicht bestimmungsgemäß und für daraus resultierende Schäden haftet der Hersteller nicht. Das Risiko trägt allein der Benutzer.

3.2 Allgemeine Sicherheitshinweise

Holzbearbeitungsmaschinen können bei unsachgemäßem Gebrauch gefährlich sein. Deshalb ist zum sicheren Betreiben die Beachtung der zutreffenden Unfallverhütungs-Vorschriften und der nachfolgenden Hinweise erforderlich.



Lesen und verstehen Sie die komplette Gebrauchsanleitung bevor Sie mit Montage oder Betrieb der Maschine beginnen.



Bewahren Sie die Bedienungsanleitung, geschützt vor Schmutz und Feuchtigkeit, bei der Maschine auf, und geben Sie sie an einen neuen Eigentümer weiter.

An der Maschine dürfen keine Veränderungen, An- und Umbauten vorgenommen werden.

Überprüfen Sie täglich vor dem Einschalten der Maschine die einwandfreie Funktion und das Vorhandensein der erforderlichen Schutzeinrichtungen.

Festgestellte Mängel an der Maschine oder den Sicherheitseinrichtungen sind zu melden und von den beauftragten Personen zu beheben.

Nehmen Sie die Maschine in solchen Fällen nicht in Betrieb, sichern Sie die Maschine gegen Einschalten durch Ziehen des Netzsteckers.

Zum Schutz von langem Kopfhaar Mütze oder Haarnetz aufsetzen.

Enganliegende Kleidung tragen, Schmuck, Ringe und Armbanduhren ablegen.

Tragen Sie Schutzschuhe, keinesfalls Freizeitschuhe oder Sandalen.

Verwenden Sie die durch Vorschriften geforderte persönliche Schutzausrüstung.

- Augenschutz
- Ohrenschutz
- Staubschutz



Beim Arbeiten an der Maschine **keine Handschuhe tragen**.



Die Maschine so aufstellen, dass genügend Platz zum Bedienen und zum Führen der Werkstücke gegeben ist.

Sorgen Sie für gute Beleuchtung.

Achten Sie darauf, dass die Maschine standsicher auf fester und ebener Tischfläche steht.

Beachten Sie dass die elektrische Zuleitung nicht den Arbeitsablauf behindert und nicht zur Stolperstelle wird.

Den Arbeitsplatz frei von behindernden Werkstücken, etc. halten.

Seien Sie aufmerksam und konzentriert !

Gehen Sie mit Vernunft an die Arbeit.

Achten Sie auf ergonomische Körperhaltung.

Sorgen Sie für sicheren Stand und halten Sie jederzeit das Gleichgewicht.

Arbeiten Sie niemals unter dem Einfluss von Rauschmitteln wie Alkohol und Drogen an der Maschine. Beachten Sie, dass auch Medikamente Einfluss auf Ihr Verhalten nehmen können.



Niemals in die laufende Maschine greifen.



Die laufende Maschine nie unbeaufsichtigt lassen. Vor dem Verlassen des Arbeitsplatzes die Maschine ausschalten.

Halten Sie Unbeteiligte, insbesondere Kinder vom Gefahrenbereich fern.

Benützen Sie die Maschine nicht in der Nähe von brennbaren Flüssigkeiten oder Gasen.

Beachten Sie die Brandmelde- und Brandbekämpfungsmöglichkeiten z.B. Standort und Bedienung von Feuerlöschern.

Benützen Sie die Maschine nicht in feuchter Umgebung und setzen Sie sie nicht dem Regen aus.

Achten Sie stets darauf, dass keine zu große Staubkonzentration entsteht – verwenden Sie stets eine geeignete Absauganlage
Holzstaub ist explosiv und kann gesundheitsschädigend sein. Insbesondere tropische Hölzer und harte Hölzer wie Buche und Eiche sind als krebserregend eingestuft.

Vor der Bearbeitung Nägel und andere Fremdkörper aus dem Werkstück entfernen.

Es ist darauf zu achten dass das Drechselwerkzeug beim Bearbeiten mit beiden Händen sicher gehalten und sicher geführt wird.

Nur mit gut geschärften Werkzeugen arbeiten.

Bearbeiten Sie nur ein Werkstück, das sicher eingespannt ist. Vor dem Einschalten immer prüfen.

Werkstücke vor dem Spannen zwischen Spitzen beidseitig mit Zentrierbohrung versehen.

Große und unwichtige Werkstücke nur mit kleiner Drehzahl bearbeiten.

Bei Schleifarbeiten die Handstahlaufgabe entfernen.

Rissige Werkstücke dürfen nicht verwendet werden.

Spannschlüssel oder Spannstifte vor dem Einschalten der Maschine entfernen.

Riemenabdeckung immer schließen.

Angaben über die min. und max. Werkstückabmessungen müssen eingehalten werden

Drehen Sie nach jeder Aufspannung das Werkstück von Hand und prüfen Sie die sichere Aufspannung und freie Rotation.

Starten Sie die Maschine in der niedrigsten Drehzahlstufe.

Späne und Werkstückteile nur bei stehender Maschine entfernen.

Auslaufende Werkstücke nie von Hand abbremsen.

Die Spindelblockierung nur bei stehender Spindel betätigen.

Messungen nie am rotierenden Werkstück vornehmen.

Nicht auf der Maschine stehen.

Arbeiten an der elektrischen Ausrüstung der Maschine dürfen nur durch eine Elektrofachkraft vorgenommen werden.



Tauschen Sie ein beschädigtes Netzkabel sofort aus.

Umrüst-, Einstell- und Reinigungsarbeiten nur im Maschinenstillstand und bei gezogenem Netzstecker vornehmen.



3.3 Restrisiken

Auch bei vorschriftsmäßiger Benutzung der Maschine bestehen die nachfolgend aufgeführten Restrisiken.

Verletzungsgefahr durch das frei rotierende Werkstück.

Nicht homogene bzw. nicht belastbare Werkstücke können auf Grund der Zentrifugalkraft explodieren.

Verarbeiten Sie nur ausgesuchte Hölzer ohne Fehler.

Unwichtige Werkstücke führen zu Verletzungsgefahr.

Verletzungsgefahr durch unsichere Werkzeugführung, bei nicht exakt angestellter Werkzeugaufgabe und stumpfem oder defektem Drechselwerkzeug.

Rückschlaggefahr. Das Werkzeug wird von dem sich drehenden Werkstück erfasst und gegen den Bediener geschleudert.

Gefährdung durch wegfliegende Werkstücke und Werkstückteile.

Gefährdung durch Lärm und Staub.
Unbedingt persönliche Schutzausrüstungen wie Augen-, Gehör- und Staubschutz tragen.
Eine geeignete Absauganlage einsetzen!

Gefährdung durch Strom, bei nicht ordnungsgemäßer Verkabelung.

4. Maschinenspezifikation

4.1 Maschinenbeschreibung

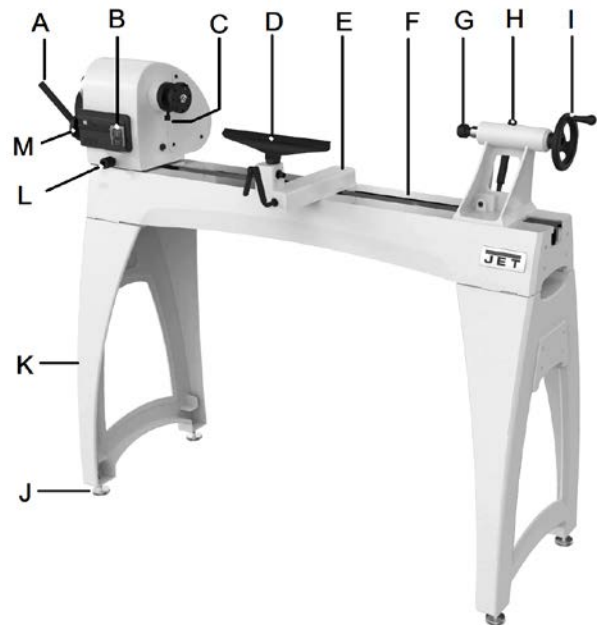


Fig 1

- A Spindelstock Klemmhebel
- B Ein/Aus Schalter
- C Spindel Blockierung
- D Handstahlaufgabe 300mm
- E Handstahlaufgabenbasis
- F Maschinenbett
- G Mitlaufkörnerspitze
- H Reitstock Klemmhebel
- I Reitstock Handrad
- J..Nivellierschuhe (Zubehör)
- K...Grauguss Maschinenfüße (Zubehör)
- L Spindelstock Schwenkindexierung
- M Drehzahlregelung, Drehzahlanzeige

4.2 Technische Daten

| | |
|---|---------------------------------------|
| Drehdurchmesser über Bett | 370 mm |
| Spitzenweite | 1016 mm |
| Drehzahlbereich | 350-2500 U/min |
| Spindelnase | M33x3.5 |
| Spindelkonus | MK 2 |
| Spindelteilung | 36 x 10° |
| Spindelstock-Schwenkung | 0°, 30°, 60°, 90°, 120°, 180°, 270 |
| Reitstockkonus | MK 2 |
| Reitstockbohrung | 9 mm |
| Reitstock Pinolenhub | 108 mm |
| Spindel Arbeitshöhe | 1120 mm |
| Maschinenabmessungen ohne FüÙe | |
| (LxBxH) | 1880x460x465 mm |
| Maschinengewicht | 100 kg |
| Maschinenabmessungen mit Grauguss-FüÙen | |
| (LxBxH) | 1880x460x1250 mm |
| Maschinengewicht | 165 kg |
| Netzanschluss | 1~230V, PE, 50Hz |
| Abgabeleistung | 0,75 kW (1PS) S1 |
| Betriebsstrom | 5.5 A |
| Anschlussleitung (H07RN-F): | 3x1,5mm ² |
| Bauseitige Absicherung | 10A |
| Isolationsklasse | I |

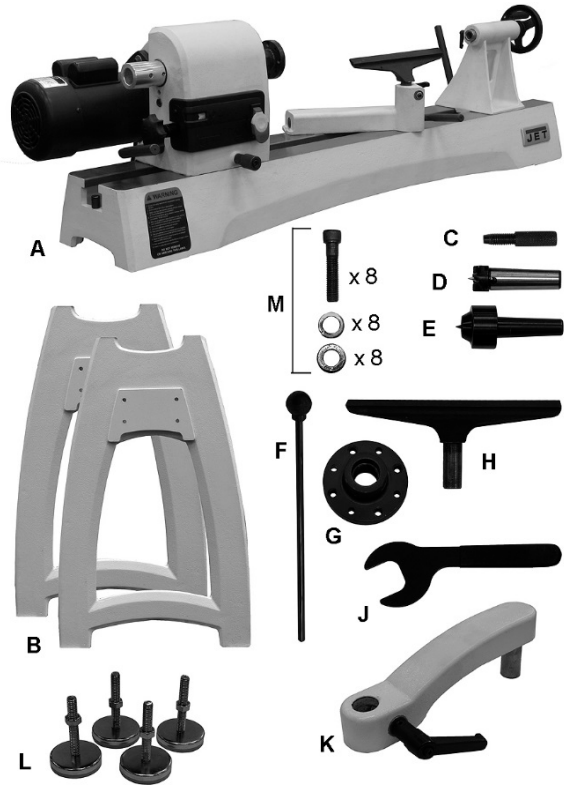


Fig 2

4.3 Schallemission

Schalldruckpegel (nach EN ISO 11202)

| | |
|-------------|----------------|
| Leerlauf | LpA 72,5 dB(A) |
| Bearbeitung | LpA 78,4 dB(A) |

Die angegebenen Werte sind Emissionspegel und sind nicht notwendigerweise Pegel für sicheres Arbeiten. Sie sollen dem Anwender eine Abschätzung der Gefährdung und des Risikos ermöglichen.

4.4 Lieferumfang

300 mm Handstahlauflage
 Ausleger für Handstahlauflage
 75mm Aufspannscheibe
 Stirnmitnehmer und AusstoÙbolzen
 Mitlaufende Körnerspitze
 Bedienwerkzeug
 Montagezubehör
 Gebrauchsanleitung
 Ersatzteilliste

Grauguß-MaschinenfüÙe (JET Zubehör # 719402)
 inklusive Nivellierschuhe

5. Transport und Inbetriebnahme

5.1. Transport und Aufstellung

Die Aufstellung der Maschine sollte in geschlossenen Räumen erfolgen, die Aufstellfläche muss dabei ausreichend eben und belastungsfähig sein.

Um einen sicheren Betrieb der Maschine zu gewährleisten, muss sie auf der Werkbank oder den optional erhältlichen MaschinenfüÙen festgeschraubt sein.

Das Maschinenbett hat acht 5/16"-18UNC Gewindebohrungen.

Vier 5/16"-18UNC x 60mm Gewindestifte, Scheiben und Muttern sind für eine eventuelle Tischmontage mitgeliefert.

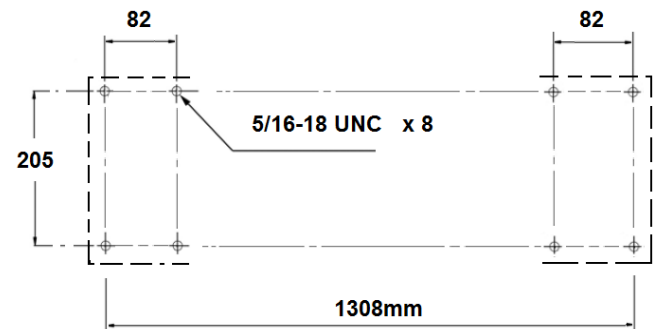


Fig 3

Aus verpackungstechnischen Gründen ist die Maschine nicht komplett montiert.

5.2 Montage

Wenn Sie beim Auspacken einen Transportschaden feststellen, benachrichtigen Sie umgehend Ihren Händler, nehmen Sie das Gerät nicht in Betrieb.

Entsorgen Sie die Verpackung bitte umweltgerecht.

Entfernen Sie das Rostschutzfett mit einem milden Lösungsmittel.

Montage der Gussfüße (JET Zubehör # 719402):

Dazu müssen der Spindelstock, der Reitstock und die Handstahlaufgabe entfernt werden.

Entfernen Sie die Anschlagbolzen (N, Fig 4).

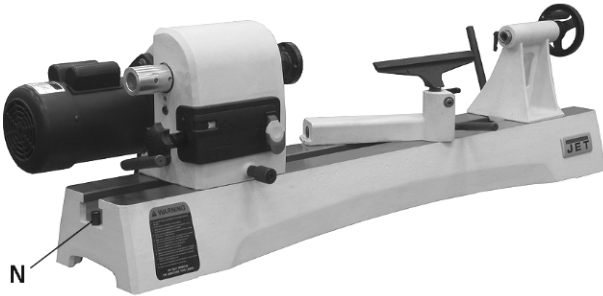


Fig 4

Entfernen Sie nun den Spindelstock, den Reitstock und die Handstahlaufgabe.

ACHTUNG Das Maschinebett ist schwer! Seien Sie vorsichtig und holen Sie sich Hilfe.

Wenden Sie das Bett vorsichtig. Verwenden Sie eine Matte oder einen Karton als Unterlage, damit die Bettführungen nicht zerkratzt werden.

Befestigen Sie die Maschinenfüße mit 8 Innensechskant-Schrauben, Federscheiben und Scheiben. Die Schrauben mit einem 6mm Inbusschlüssel gut festziehen (Fig 5).



Fig 5

Montieren Sie die 4 Nivelierfüße und kontern Sie die Muttern gegen die Gussfüße. Die Nivelierfüße können später eingestellt werden (Fig 6)

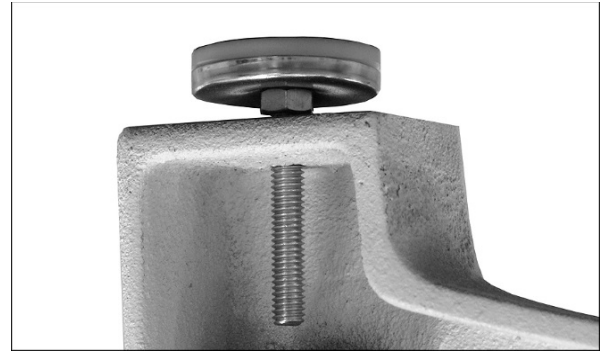


Fig 6

Holen Sie sich Hilfe und stellen Sie die Maschine auf.

Passen Sie die Nivelierfüße so an, dass die Drechselbank eben auf dem Boden steht. Kontern Sie die Muttern.

Nun können Spindelstock, Reitstock und Handstahlaufgabe wieder montiert werden (Fig 7).



Fig 7

Montieren Sie die Anschlagbolzen (N, Fig 4).

Standregal:

Falls Sie es wünschen können Sie eine Ablagefläche zwischen die Maschinenfüße montieren (siehe Fig 8).

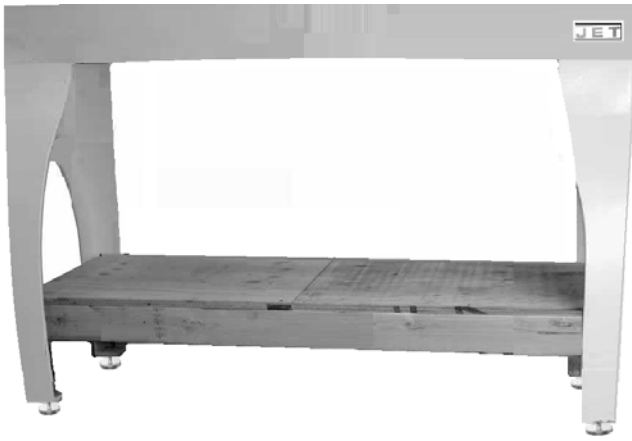


Fig 8

Montage der 508mm Bettverlängerung (JET # 719401)

Die Bettverlängerung kann am Maschinenbett oder am Gussfuß befestigt werden.

Montage am Gussfuß:

Zur Verwendung der Handstahlaufgabe beim Drechseln großer Schalen (Fig 9).



Fig 9

Montage am Maschinenbett:

Zur Verlängerung der Spitzenweite.

Holen Sie sich Hilfe.

Montieren Sie die Bettverlängerung am Maschinenbett, mit 4 Zylinderschrauben und Scheiben (P, Fig 10).

Die Schrauben vorläufig nur leicht festziehen.

Versetzen sie den Anschlagbolzen (N) vom Maschinenbett auf die Bettverlängerung.

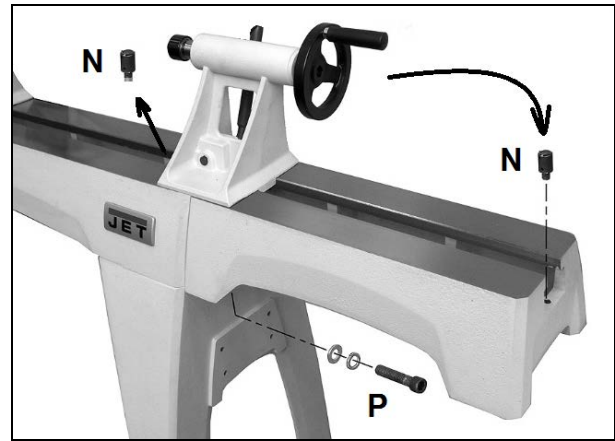


Fig 10

Die Bett-Führungsflächen müssen bündig ausgerichtet sein, um eine sanfte Verstellung des Reitstocks zu ermöglichen.

Schieben Sie den Reitstock über die Stoßstelle, so dass die Reitstock-Klemmung beide Betten erfasst. Klemmen Sie den Reitstock fest; dies wird die Betten zueinander ausrichten.

Die Schrauben (P) nun gut festziehen.

5.3 Elektrischer Anschluss

Der kundenseitige Netzanschluss sowie die verwendeten Verlängerungsleitungen müssen den Vorschriften entsprechen. Die Netzspannung und Frequenz müssen mit den Leistungsschilddaten an der Maschine übereinstimmen.

Die bauliche Absicherung muss dabei 10A betragen.

Verwenden Sie nur Anschlussleitungen mit Kennzeichnung H07RN-F

Anschlüsse und Reparaturen der elektrischen Ausrüstung dürfen nur von einem Elektrofachkraft durchgeführt werden.

5.4 Absaug Anschluss

Vermeiden Sie eine hohe Luftstaubkonzentration. Setzen Sie ein geeignetes Absaug- bzw. Filtersystem ein.

5.5 Inbetriebnahme

Mit dem grünen Ein-Taster am Hauptschalter (B, Fig 1) kann die Maschine gestartet werden: Mit dem roten Aus-Taster kann die Maschine stillgesetzt werden.

6. Betrieb der Maschine

6.1 Richtige Arbeitsstellung

Das Drechselwerkzeug immer aufgelegt an der Handstahlaufgabe führen. Dabei die Finger geschlossen halten und mit dem Handballen an der Handstahlaufgabe abstützen (Fig 11 und 12).

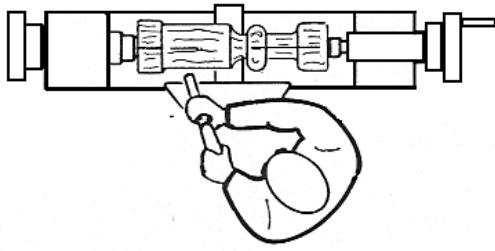


Fig 11

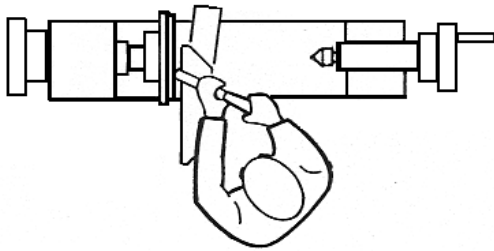


Fig 12

6.2 Drehstuhl Auswahl

Erfolgreiches Drechseln hängt nicht von hohen Drehzahlen ab, sondern von der richtigen Anwendung der Drechselwerkzeuge.

Eine Voraussetzung für fachgerechtes Drechseln ist ein einwandfreies und geschärftes Drechselwerkzeug.

Die wichtigsten Drechselstähle:

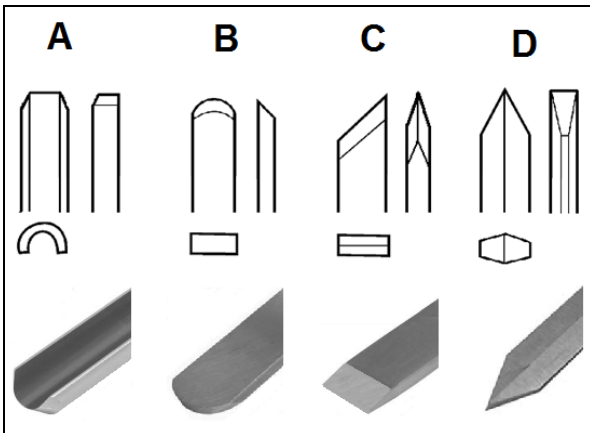


Fig 13

Drechselröhre (A, Fig 13)

Wichtigstes Drechselwerkzeug, wird verwendet zur Schrumpferspannung, zum Aushöhlen von Schalen und Tellern und zum Drechseln von Einschnürungen (Fig 14).

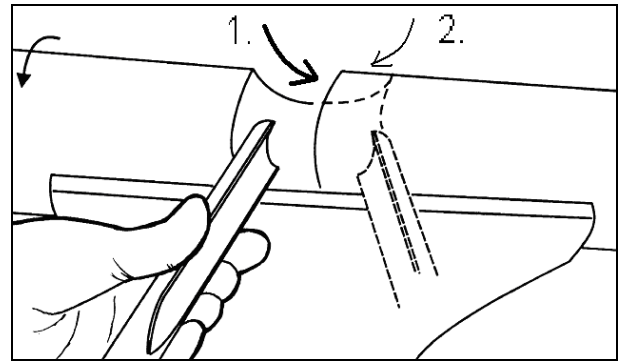


Fig 14

Schaber (B, Fig 13)

Wird verwendet zur Außen- und Innenkalibrierung sowie zum Entfernen von Bearbeitungsriefen.

Schrägmeißel (C, Fig 13)

Wird verwendet zum Drechseln von V-Rillen und zur Außenkalibrierung.

Die Schneide wird parallel zum Schnitt angestellt (Fig 15)

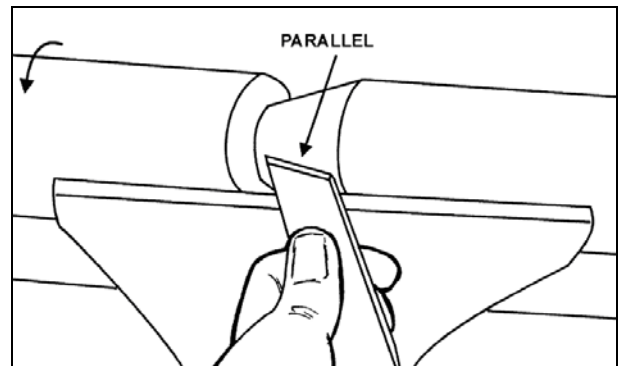


Fig 15

Abstechstahl (D, Fig 13)

Wird verwendet um direkt in das Werkstück einzutauchen, z.B. beim Einstechen auf Maß, Hinterdrehen, und Abstechen. Kann auch als Schaber eingesetzt werden.

6.3 Drehzahlwahl:

Große und unwichtige Werkstücke nur mit kleiner Drehzahl bearbeiten.

Beim Auftreten von Vibrationen die Maschine stoppen und Abhilfe schaffen.

Beachten Sie die Drehzahlempfehlung.

Drehzahlempfehlung

| Werkstück Ø mm | Schruppen U/min | Allgemein U/min | Schlichten U/min |
|----------------|-----------------|-----------------|------------------|
| < 50 | 1250 | 2500 | 2500 |
| 50-100 | 700 | 1600 | 2500 |
| 100-150 | 480 | 1100 | 1600 |
| 150-200 | 400 | 900 | 1250 |
| 200-250 | 350 | 600 | 1100 |
| 250-300 | 350 | 480 | 900 |
| 300-350 | 350 | 350 | 600 |

6.4 Drehen zwischen Spitzen:

Markieren und kornen Sie die Werkstückmitte an beiden Enden.

Bei harten Hölzern kann spindelstockseitig erforderlich sein Einschnitte anzubringen (siehe Fig 16).

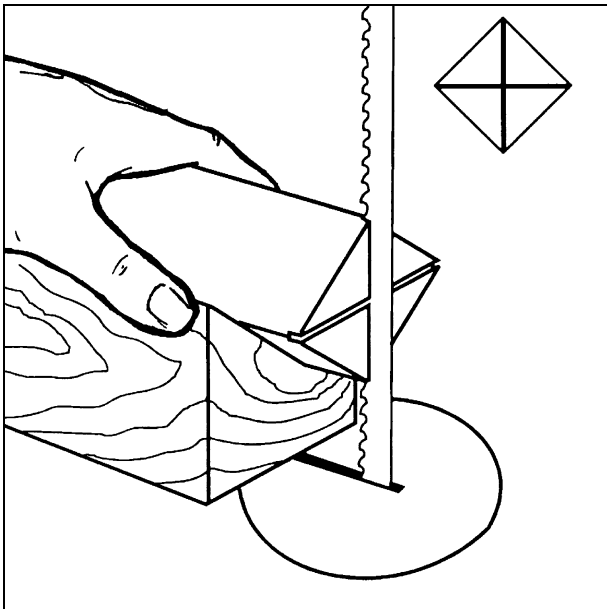


Fig 16

Der Stirnmitnehmer wird in den Spindelkonus eingesteckt und kann mit dem Ausstoßbolzen wieder entfernt werden. (Fig 17)

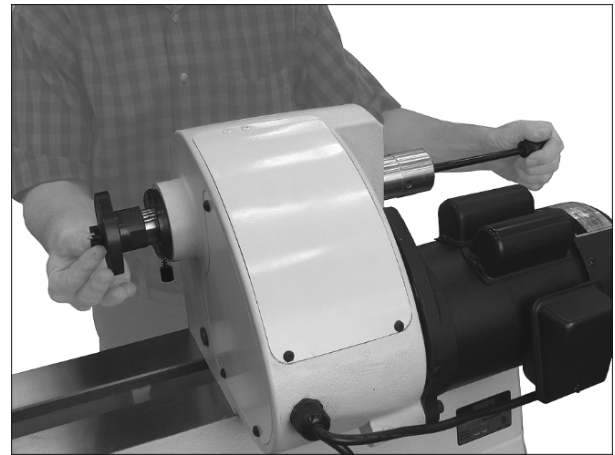


Fig 17

Die Mitlaufkörnerspitze wird in die Reitstockpinole eingesteckt und kann entfernt werden indem man das Handrad gegen den Uhrzeigersinn dreht (Fig 18)

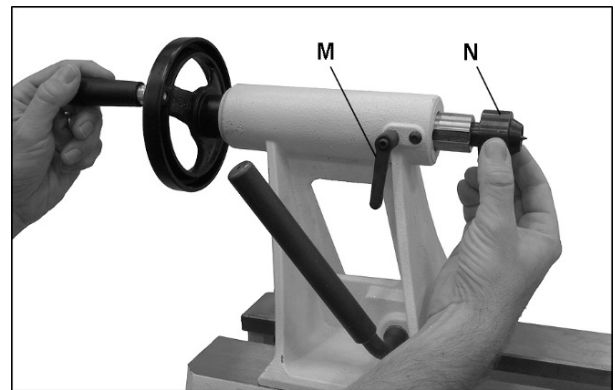


Fig 18

Spannen Sie das zentrierte Werkstück zwischen den Stirnmitnehmer und die Mitlaufkörnerspitze (Fig 19).



Fig 19

Drehen Sie das Reitstock Handrad bis die Mitlaufkörnerspitze im Werkstück gut festsetzt. Drehen Sie das Handrad eine Vierteldrehung zurück und klemmen Sie die Reitstockpinole fest (M, Fig 18)

Drehen Sie das Werkstück von Hand und prüfen Sie die sichere Aufspannung und die freie Rotation.

Stellen Sie die Handstahlauflage so nahe an das Werkstück als möglich und fixieren Sie die Position.

Beim Arbeiten zwischen den Spitzen wird die Höhe der Handstahlauflage ca. 3 mm über der Spitzenhöhe eingestellt (Fig 20, 21 und 22)

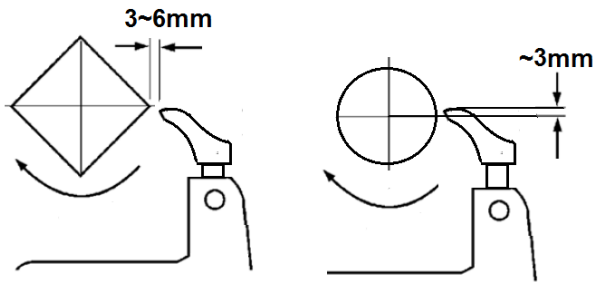


Fig 20

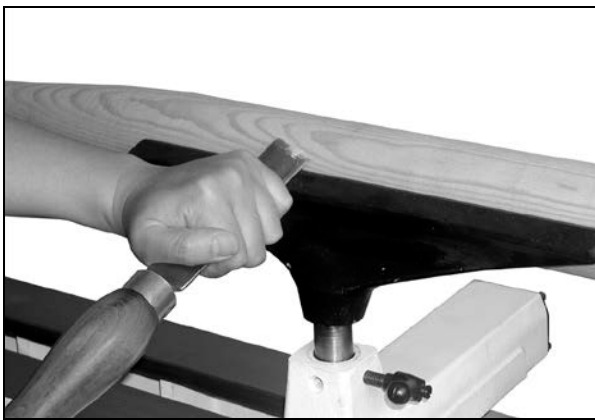


Fig 21



Fig 22

6.5 Drehen von Schalen und Tellern:

Drehen Sie die Außenkontur zwischen Spitzen.

Das Andrehen eines kurzen Zapfens (T, Fig 23) mit dem Innendurchmesser der Aufspannscheibe hilft dabei das Werkstück in der zweiten Aufspannung zu zentrieren.

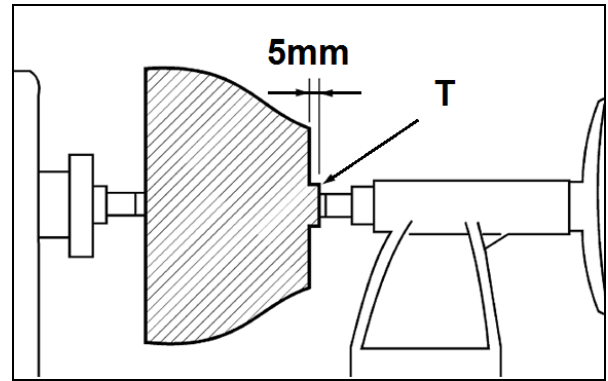


Fig 23

Befestigen Sie das Werkstück (A, Fig 24) mit 4 Holzschrauben (C) direkt an der Aufspannscheibe. Seien Sie vorsichtig bei der Schraubenwahl. Zu lange Schrauben ragen in den Zerspanungsbereich und zu kurze ergeben keine sichere Aufspannung.

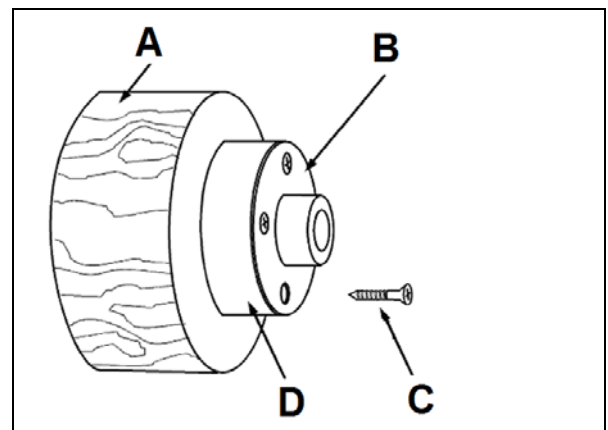


Fig 24

Falls keine Schraubenbefestigung zulässig ist kann das Werkstück auch auf eine Trägerscheibe (D) aufgeklebt werden, welche wiederum mit der Aufspannscheibe verschraubt ist.

Mit einem dazwischen geklebten Stück Papier vermeiden Sie Beschädigungen des Werkstücks beim späteren Lösen.

Die Aufspannscheibe zusammen mit dem bereits aufgespannten Werkstück auf die Spindelnase aufschrauben und von Hand festziehen.

Drehen Sie das Werkstück von Hand und prüfen Sie die sichere Aufspannung und die freie Rotation.

Stellen Sie die Handstahlauflage so nahe an das Werkstück als möglich und fixieren Sie die Position.

Beim Arbeiten mit der Aufspannscheibe wird die Höhe der Handstahlauflage leicht unterhalb der Spitzenhöhe eingestellt. ^

Achtung: Arbeiten Sie mit dem Drehstahl nur links von der Drehmitte.

Führen Sie die Drechselröhre mit der linken Hand, während die rechte Hand zum Körper schwingt (Fig 25).

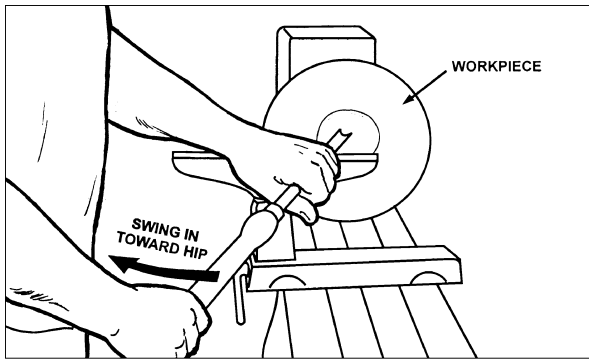


Fig 25

Beginnen Sie die Spanabnahme am Schalenrand und führen Sie die Drechselröhre möglichst in einer durchgängigen Bewegung bis zum Schalengrund.

Versetzen Sie die Handstahlaufgabe nach außen und dreheln Sie die Schalenunterseite fertig.

6.6 Schleifen und Imprägnieren:

Entfernen Sie die Handstahlaufgabe.

Beginnen Sie mit einer 120 Körnung und setzen Sie stufenweise feineres Schleifpapier ein.

Verwenden Sie vorzugsweise kraftbetriebene Schleifwerkzeuge um konzentrische Schleifrillen zu vermeiden.

Stoppen Sie bei einer 220 Körnung.

Erste Imprägnierung aufbringen und trocknen lassen.

Fertigschleifen mit 320 oder 400 Körnung.

Das Werkstück mit einem Abstichstahl vom Reststück ansatzweise trennen.
(Unter Durchmesser 80mm mit einer feinen Handsäge durchtrennen).

Zweite Imprägnierung aufbringen und trocknen lassen.

Die Oberfläche fertig polieren.

7. Rüst- und Einstellarbeiten

Allgemeine Hinweise

**Vor Rüst- und Einstellarbeiten muss die Maschine gegen Inbetriebnahme gesichert werden.
Netzstecker ziehen!**

7.1 Drehzahlwechsel

Mit dem Drehgriff (B, Fig 26) kann die Spindeldrehzahl verstellt werden. Das Sichtfenster (C) zeigt die eingestellte Drehzahl in U/min.

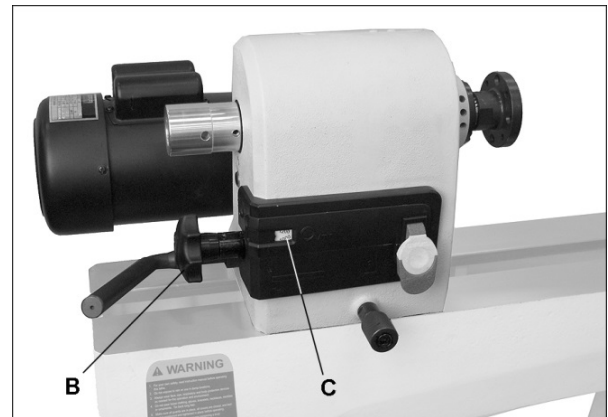


Fig 26

Achtung: Nehmen Sie Drehzahlwechsel nur bei laufender Maschine vor um eine Beschädigung der Variomatik zu vermeiden.

7.2 Spindel Blockierung

Drücken Sie den Bolzen (P, Fig 27) nach oben und drehen Sie die Spindel bis der Bolzen voll einrastet. Den Bolzen gedrückt halten solange die Spindel-Blockierung gewünscht ist.

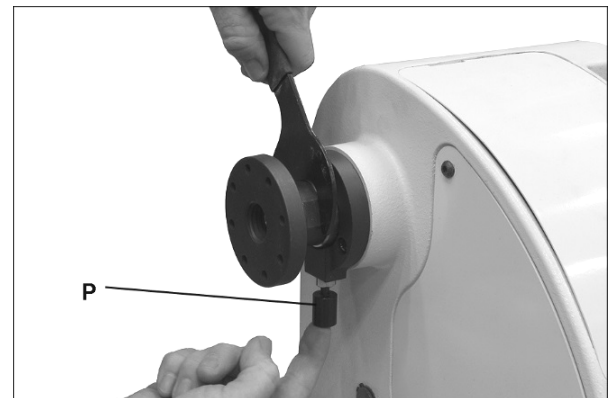


Fig 27

Achtung: Die Spindelblockierung nur bei stehender Spindel betätigen.

7.3 Spindelstock Schwenkung

Lösen Sie den Rastbolzen (B, Fig 28) durch Drehen gegen den Uhrzeigersinn.

Zum Schwenken lösen Sie die Spindelstockklemmung (A) und ziehen Sie am Rastbolzen (B).

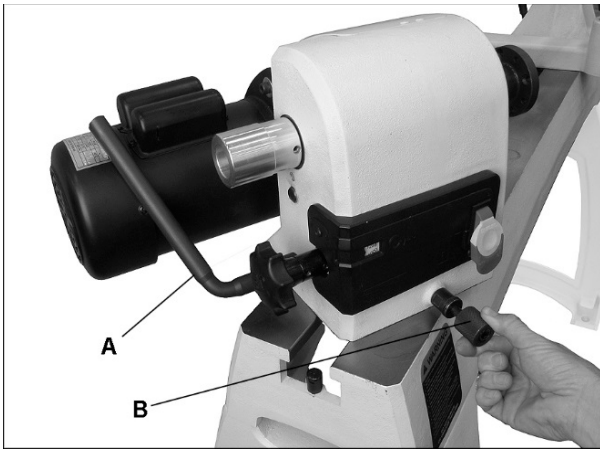


Fig 28

Zur Bearbeitung großer Werkstücke muss der Spindelstock um 90° geschwenkt, sowie der Ausleger der Handstahlaufleger montiert werden.

Warnung: Die Maschine nur mit fixierter Spindelstockklemmung und festgeschraubtem Rastbolzen betreiben.

Der Spindelstock kann überall entlang des Maschinenbettes festgeklemmt werden.

7.4 Spindelteilung

Die Stromzufuhr durch Ziehen des Netzsteckers trennen.

Schrauben Sie den Indexierstift (L, Fig 29) in die Bohrung am Spindelstock.

In der Spindel befinden sich 12 Bohrungen im Abstand von 30°

Die 3 Bohrungen am Spindelstock haben einen Abstand von 20°

Die Kombination dieser Bohrungen erlaubt es die Spindel alle 10° zu teilen.

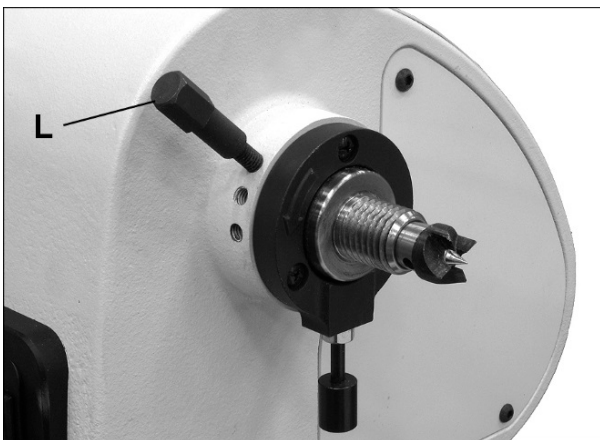


Fig 29

7.5 Spannmittel Montage

Die Aufspannscheibe wird zum Drehen von Schüsseln und Tellern verwendet.

Es befinden sich eine Vielzahl von Löchern in der Aufspannscheibe um das Werkstück zu befestigen.

Schrauben Sie die Aufspannscheibe im Uhrzeigersinn auf die Spindel und sichern Sie mit 2 Gewindestiften (E, Fig 30).

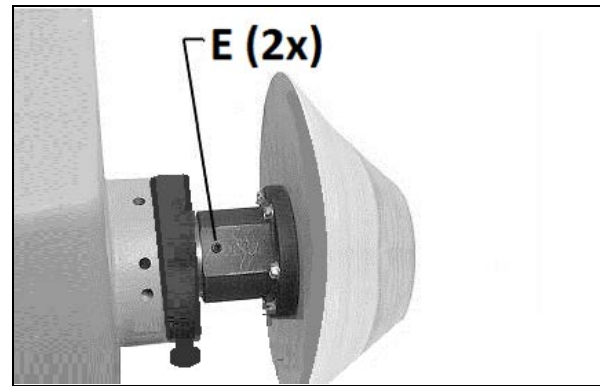


Fig 30

Demontage:

Lösen Sie die 2 Gewindestifte bevor Sie die Aufspannscheibe wieder abschrauben.

Blockieren Sie die Spindel und verwenden Sie den gelieferten Gabelschlüssel.

7.6 Handstahlaufleger Einstellung

Eine 300mm Handstahlaufleger ist mitgeliefert. Sie kann in der Höhe und in der Position verstellt werden.

Lösen Sie den Klemmhebel (G, Fig 31) und verstellen Sie die Handstahlauflegerbasis nach Bedarf. Vor Maschinenbetrieb wieder gut festklemmen.

Lösen Sie den Indexiergriff (H) um Höhe und Winkel der Handstahlaufleger zu verstellen. Vor Maschinenbetrieb wieder gut festklemmen.

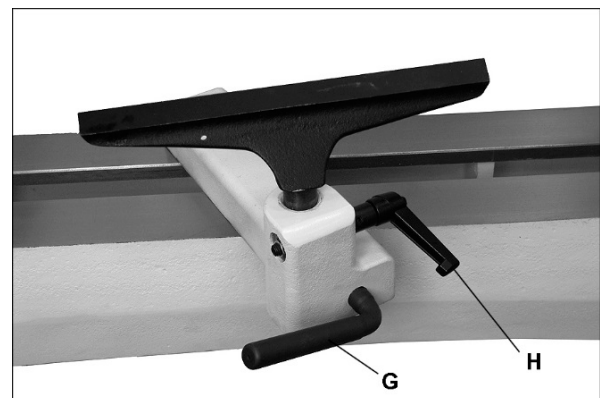


Fig 31

Ausleger für Handstahlaufleger:

Der Ausleger (J, Fig 32) ermöglicht eine größere Handstahlaufleger-Reichweite, insbesondere hilfreich wenn mit geschwenktem Spindelstock gearbeitet wird.

Zur Schaftaufnahme die Klemmhülsen (K) ausreichend auf Abstand bringen.

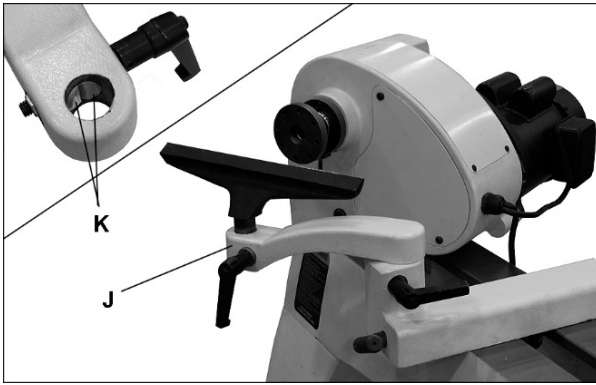


Fig 32

7.7 Reitstock Einstellung

Drehen Sie das Handrad (R, Fig 33) im Uhrzeigersinn um die Pinole auszufahren und klemmen Sie den Indexiergriff (Q).

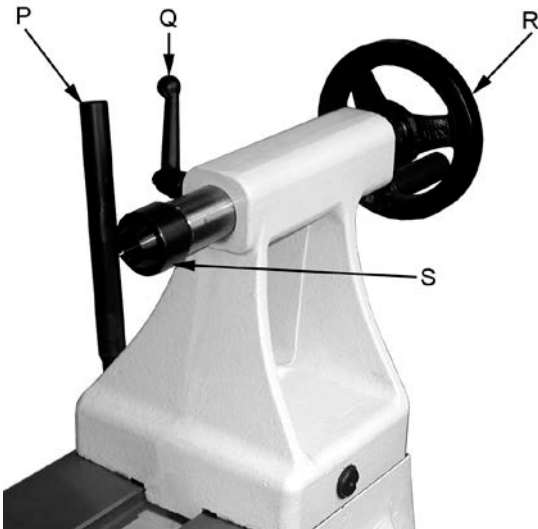


Fig 33

Der Hebel (P) klemmt den Reitstock am Maschinenbett fest.

Die Mitlaufkörnerspitze (S) kann durch Drehen des Handrads im Gegen-Uhrzeigersinn ausgeworfen werden.

Zum Tieflochbohren entfernen Sie die Zentrierspitze des Rollkörners.

8. Wartung und Inspektion

Allgemeine Hinweise

Vor Wartungs- Reinigungs- und Reparaturarbeiten muss die Maschine gegen Inbetriebnahme gesichert werden. Netzstecker ziehen!

Reinigen Sie die Maschine in regelmäßigen Zeitabständen.

Prüfen Sie täglich die ausreichende Funktion der Absaugung.

Beschädigte Sicherheitseinrichtungen sofort ersetzen.

Anschlüsse und Reparaturen der elektrischen Ausrüstung dürfen nur von einer Elektrofachkraft durchgeführt werden.

8.1 Klemmexcenter Einstellung

Sollte eine Nachstellung erforderlich sein, entfernen Sie zuerst die Anschlagschraube (N, Fig 4).

Schieben Sie Spindelstock, Reitstock oder Handstahlaufgabe an das Bettende und stellen Sie die Mutter (F, Fig 34) geringfügig nach.

Testen Sie die Klemmwirkung.

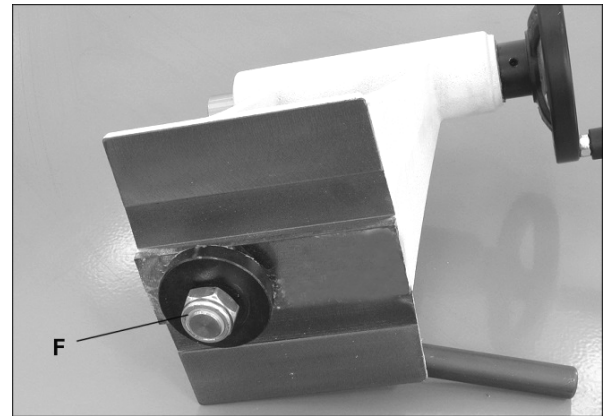


Fig 34

8.2 Riementrieb Schmierung

Alle 200 Betriebsstunden (alle 30 Betriebstage).

Entfernen Sie die beiden Spindelstock-Blechabdeckungen.

Verwenden Sie eine Fettpresse sowie gutes Universalfett und schmieren Sie den Schmiernippel an die Motorwelle (Fig 35) und die Nut an der Hauptspindel (Fig 36)

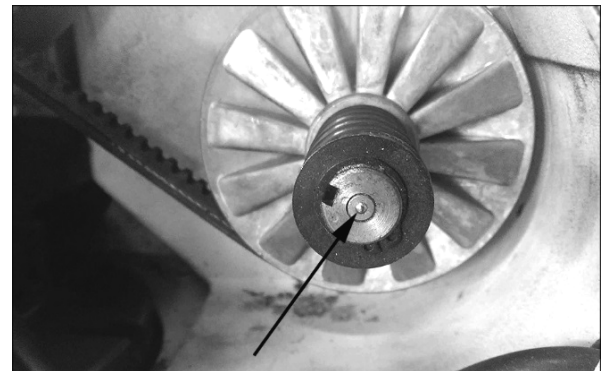


Fig 35

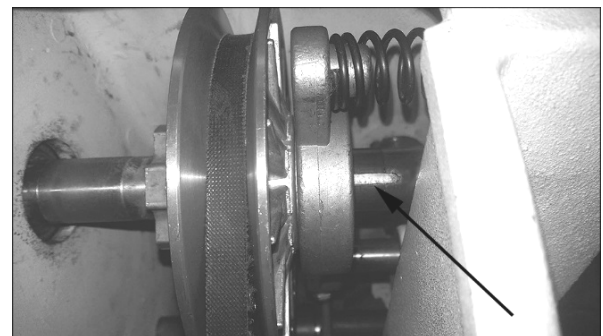


Fig 36

Montieren Sie die Spindelstock-Blechabdeckungen.

8.3 Riemen- und Lagerwechsel

Riemen- und Lagerwechsel sind schwierig auszuführen. Bringen Sie den gesamten Spindelstock in eine Reparaturwerkstatt.

9. Störungsabhilfe

Motor startet nicht

*Kein Strom-
Netzsicherung prüfen.

*Motor, Schalter oder Kabel defekt-
Elektrofachkraft kontaktieren.

Starke Maschinenvibrationen

*Maschine steht uneben-
Ausgleich schaffen.

*Das Werkstück ist schlecht zentriert

*Die Drehzahl ist zu hoch

Reitstock verschiebt sich

*Klemmexcenter falsch eingestellt-
Mutter nachstellen.

*Bett und Reitstock Kontaktflächen fettig oder ölig-
Reitstock abnehmen und Flächen reinigen

*Mitlaufkörper Druck zu groß-
Reitstock nach rechts gegen den Anschlag (N, Fig 10)
stellen. Den Spindelstock auf Position bringen, dann
Mitlaufkörper-Druck geben.

10. Umweltschutz

Schützen Sie die Umwelt!

Ihr Gerät enthält mehrere unterschiedliche ,
wiederverwertbare Werkstoffe.
Bitte entsorgen Sie es nur an einer spezialisierten
Entsorgungsstelle.

11. Lieferbares Zubehör

Artikel Nummer 719402

Grauguss Füße mit Nivellierschuhen



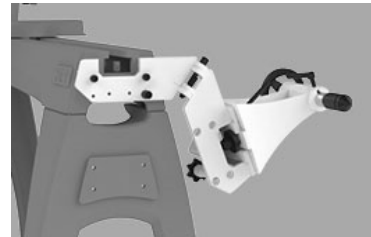
Artikel Nummer 719401

Bettverlängerung 508mm im Set mit Handstahl-
Schaftverlängerung



Artikel Nummer 719001

Reitstock-Abschwenkvorrichtung



Artikel Nummer 708331

Mitlaufkörnerspitze MK2

Artikel Nummer 708343K

Bohrfutter 13 mm, mit Aufnahmedorn MK-2

Artikel Nummer 709911

Aufspannscheibe 75mm, M33x3,5

Artikel Nummer 709942

Stirnmitnehmer MK-2

Artikel Nummer 708332

Gesichtsschutzschild

Werkzeuge und Spannmittel siehe JET-Preisliste.

FR - FRANCAIS

Mode d'emploi

Cher client,

Nous vous remercions de la confiance que vous nous portez avec l'achat de votre nouvelle machine JET. Ce manuel a été préparé pour l'opérateur du **tour à bois JET JWL-1440VS**. Son but, mis à part le fonctionnement de la machine, est de contribuer à la sécurité par l'application des procédés corrects d'utilisation et de maintenance. Avant de mettre l'appareil en marche, lire les consignes de sécurité et de maintenance dans leur intégralité. Pour obtenir une longévité et fiabilité maximales de votre tour à bois, et pour contribuer à l'usage sûr de la machine, veuillez lire attentivement ce mode d'emploi et en suivre les instructions.

Table des Matières

1. Déclaration de conformité

2. Prestations de garantie

3. Sécurité

Utilisation conforme

Consignes de sécurité

Risques

4. Spécifications

Description de la machine

Données techniques

Emission de bruit

Contenu de la livraison

5. Transport et montage

Transport

Montage

Raccordement au réseau élect.

Racc. collecteur de poussières

Mise en exploitation

6. Fonctionnement de la machine

Position correcte de travail

Choix des outils

Choix de la vitesse de rotation

Tournage entre les pointes

Tournage de bols et d'assiettes

Poncer et imprégner

7. Réglages

Changement des vitesses

Blocage de la broche

Pivotement poupée fixe

Division de l'arbre

Montage du moyen de tension

Réglage du support-outil

Réglage contre-poupée

8. Entretien et inspection

Réglage de fixation

Graissage de l'entraînement de la courroie

Changement de courroie et de palier

9. Détecteur de pannes

10. Protection de l'environnement

11. Accessoires

1. Déclaration de conformité

Par le présent et sous notre responsabilité exclusive, nous déclarons que ce produit satisfait aux normes conformément aux lignes directrices indiquées page 2.

2. Prestations de garantie

Le vendeur garantit que le produit livré est exempt de défauts de matériel et de fabrication. La présente garantie ne s'applique pas aux défauts résultant d'une utilisation incorrecte directe ou indirecte, de l'inattention, d'un accident, d'une réparation, d'une maintenance ou d'un nettoyage insuffisant, ou encore de l'usure normale.

Il est possible de faire valoir des prétentions en garantie dans les 12 mois suivant la date de la vente (date de la facture). Toute autre prétention est exclue.

La présente garantie comprend toutes les obligations de garantie incombant au vendeur et remplace toutes les déclarations et conventions antérieures en termes de garanties.

Le délai de garantie s'applique pour une durée d'exploitation de huit heures par jour. Au-delà, le délai de garantie diminue proportionnellement au dépassement, mais pas en deçà de trois mois.

Le renvoi d'une marchandise faisant l'objet d'une réclamation requiert l'accord préalable exprès du vendeur et s'effectue aux frais et aux risques de l'acheteur.

Les prestations de garantie détaillées figurent dans les Conditions générales (CG). Ces dernières sont disponibles sur www.jettools.com ou peuvent être envoyées par la poste sur demande.

Le vendeur se réserve le droit de modifier à tout moment le produit et les accessoires.

3. Sécurité

3.1 Utilisation conforme

Ce tour à bois convient au tournage du bois et des dérivés du bois.

Le tournage d'autres matériaux est interdit et ne peut être effectué que dans des cas spéciaux et après accord du fabricant de la machine.

La pièce doit pouvoir être posée et serrée sans problème.

L'utilisation conforme implique le strict respect des instructions de service et de maintenance indiquées dans ce manuel.

La machine doit être exclusivement utilisée par des personnes familiarisées avec le fonctionnement, la maintenance et la remise en état, et qui sont informées des dangers correspondants.

L'âge minimum requis par la loi est à respecter.

Toutes les directives relatives à la prévention des accidents ainsi que les consignes de sécurité doivent être respectées scrupuleusement.

En cas d'utilisation non-conforme de la machine, le fabricant décline toute responsabilité qui est, en tel cas, rejetée exclusivement sur l'utilisateur.

3.2 Consignes de sécurité

L'utilisation non-conforme d'un tour à bois peut être très dangereuse.



C'est pourquoi vous devez lire attentivement ce mode d'emploi avant de monter ou d'utiliser votre appareil.



Conserver à proximité de la machine tous les documents fournis avec l'outillage (dans une pochette en plastique, à l'abri de la poussière, de l'huile et de l'humidité) et veiller à joindre cette documentation si vous cédez l'appareil.

Ne pas effectuer de modifications à la machine. Utiliser les accessoires recommandés, des accessoires incorrects peuvent être dangereux.

Contrôler chaque jour, avant d'utiliser la machine, les dispositifs de protection et le fonctionnement impeccable.

En cas de défauts à la machine ou aux dispositifs de protection avertir les personnes compétentes et ne pas utiliser la machine. Déconnecter la machine du réseau.

Avant de mettre la machine en marche, retirer cravate, bagues, montre ou autres bijoux et retrousser les manches jusqu'aux coudes.

Enlever tous vêtements flottants et nouer les cheveux longs.

Porter des chaussures de sécurité, surtout pas de tenue de loisirs ou de sandales.

Porter un équipement de sécurité personnel pour travailler à la machine.

- des lunettes protectrices,
- une protection acoustique
- une masque anti poussières.



Ne pas porter de gants.



Placer la machine de sorte à laisser un espace suffisant pour la manœuvre et le guidage des pièces à usiner.

Veiller à un éclairage suffisant.

Placer la machine sur une surface stable et plat.

S'assurer que le câble d'alimentation ne gêne pas le travail ni ne risque de faire trébucher l'opérateur.

Conserver le sol autour de la machine propre, sans déchets, huile ou graisse.

Prêter une grande attention à votre travail et rester concentré.

Eviter toute position corporelle anormale.

Veiller à une position stable et garder un bon équilibre à tout moment.

Ne pas travailler sous l'influence de drogues, d'alcool ou de médicaments.



Ne jamais mettre la main dans la machine pendant le travail.



Ne jamais laisser la machine en marche sans surveillance. Arrêter la machine avant de quitter la zone de travail.

Eloigner de la machine toutes personnes incompétentes surtout les enfants.

Ne pas mettre la machine à proximité de liquides ou de gaz inflammables.

Tenir compte des possibilités de prévention et de lutte d'incendie, par ex. lieu et utilisation des extincteurs.

Préserver la machine de l'humidité et ne jamais l'exposer à la pluie.

Utiliser un collecteur de poussières afin d'éviter une production de poussières trop élevée.

La poussière de bois est explosive et peut être nocive pour la santé.

Les poussières de certains bois exotiques et de bois durs, tels que le hêtre et le chêne sont classées comme étant cancérigènes.

Retirer les clous et autres corps étrangers de la pièce avant de débiter l'usinage.

Bien tenir et mener avec les deux mains l'outil de tournage pendant le travail.

Travailler seulement avec des outils bien aiguisés.

N'usiner que des pièces qui se peuvent bien être serrés dans la machine. Toujours vérifier cela avant de la mettre en route.

Percer le centre des deux côtés de la pièce avant de la serrer entre les contre-pointes.

Ne travailler les pièces grandes et déséquilibrées qu'à une vitesse lente.

Pour les travaux de ponçage, retirer le support

Ne jamais utiliser de pièces fendues.

Eloigner la clé de serrage ou les goupilles avant de mettre la machine en marche.

Toujours fermer la protection de la courroie.

Se tenir aux spécifications concernant la dimension maximale ou minimale de la pièce à usiner.

Après chaque procédure de fixation, tourner la pièce à la main et contrôler la fixation et la rotation impeccables. Démarrer la machine avec la plus petite vitesse.

Ne pas enlever les copeaux et les pièces usinées avant que la machine ne soit à l'arrêt.

Ne jamais freiner une pièce à la main.

Manier le blocage de l'arbre seulement quand celui-ci ne bouge plus.

Ne jamais prendre les mesures d'une pièce en rotation.

Ne pas se mettre sur la machine.

Tous les travaux de branchement et de réparation sur l'installation électrique doivent être exécutés uniquement par un électricien qualifié.



Remplacer immédiatement tout câble endommagé ou usé.

Faire tous les travaux de réglage ou de maintenance seulement après avoir débranché la machine du réseau.



3.3 Risques

Même en respectant les directives et les consignes de sécurité les risques suivants existent:

Risque de blessures par la pièce en rotation.

Les pièces non homogènes peuvent exploser en raison de la force centrifuge.

N'utiliser que des bois choisis sans défauts.

Des pièces déséquilibrées cachent un risque de blessures.

Danger de blessures par un travail incertain, un support monté inexactement et un outil de tournage défectueux ou usé.

Danger d'éjection. L'outil se fait accrocher par la pièce en rotation et est éjecté contre l'utilisateur.

Danger de pièces éjectées.

Risque de nuisances par poussières de bois, copeaux et bruit.

Porter des équipements de sécurité personnels tels que lunettes, cache-visage pour travailler à la machine. Utiliser un collecteur de poussières!

Danger par câble électrique endommagé, usé ou mal branché.

4. Spécifications

4.1 Description de la machine

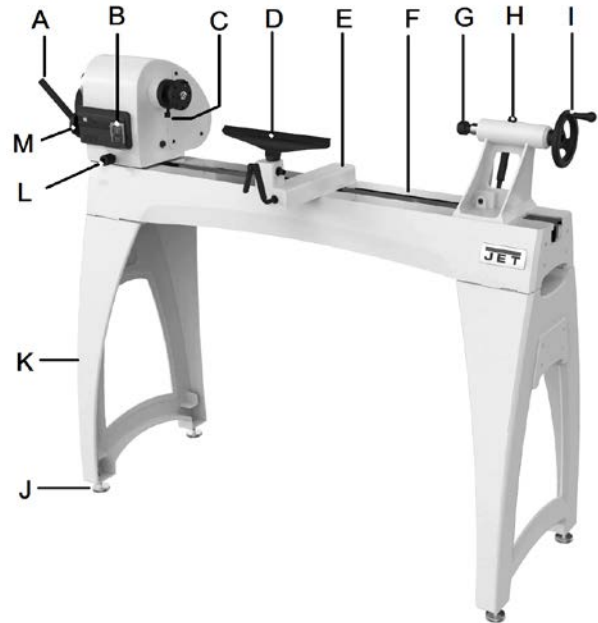


Fig 1

- A Blocage de pivotement de la poupée fixe
- B Bouton marche/arrêt
- C Blocage de la broche
- D Support d'outil 300mm
- E Base du support d'outils
- F Bâti de la machine
- G Contrepointe tournante
- H Levier de blocage de la contre-poupée
- I Volant de la contre-poupée
- J Vérins de niveau (accessoire)
- K Pieds de machine en fonte grise (accessoire)
- L Index de pivotement de la poupée fixe
- M Régulateur de vitesse, compte-tours

4.2 Indications techniques

| | |
|--|---------------------------------------|
| Diamètre de tour au-dessus de la feuille | 370 mm |
| Ecartement des pointes | 1016 mm |
| Plage de vitesse | 350-2500 T/min |
| Nez de broche | M33x3.5 |
| Cône de broche | CM2 |
| Division de l'arbre | 36 x 10° |
| Poupée-fixe pivotante | 0°, 30°, 60°, 90°, 120°, 180°, 270 |
| Contre-poupée en cône | CM2 |
| Fourreau de contre-poupée avec perçage | 9 mm |
| Perçage à la broche de contre-poupée | 108 mm |
| Hauteur support | 1120 mm |
| Dimensions de la machine sans des pieds | |
| (Lxlxh) | 1880x460x465 mm |
| Poids net | 100 kg |
| Dimensions de la machine avec des pieds en fonte grise | |
| (Lxlxh) | 1880x460x1250 mm |
| Poids net | 165 kg |

| | |
|----------------------------|----------------------|
| Voltage | 1~230V, PE, 50Hz |
| Puissance | 0,75 kW (1CV) S1 |
| Courant électrique | 5.5 A |
| Raccordement (H07RN-F): | 3x1,5mm ² |
| Fusible du secteur électr. | 10A |
| Classe d'isolation | I |

4.3 Emission de bruit

Niveau de pression sonore (selon EN ISO 11202):

| | |
|---------------|----------------|
| Marche à vide | LpA 72,5 dB(A) |
| Usinage | LpA 78,4 dB(A) |

Les indications données sont des niveaux de bruit et ne sont pas forcément les niveaux pour un travail sûr.

Ainsi l'utilisateur doit estimer les dangers et les risques possibles.

4.4 Contenu de la livraison

Support d'outil 300 mm
 Console pour support
 Plateau circulaire 75mm
 Pointe d'entraînement et éjecteur
 Contre-pointe tournante
 Outils
 Accessoires pour le montage
 Mode d'emploi
 Liste pièces de rechange

Pieds en fonte grise (JET Article # 719402)
 vérins de niveau inclus

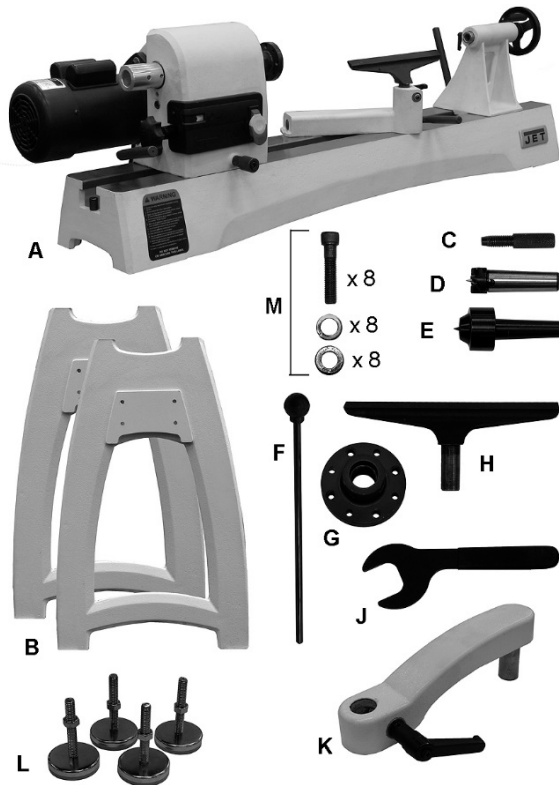


Fig 2

5. Transport et mise en exploitation

5.1. Transport

Effectuer le montage de la machine dans un local fermé ou un atelier respectant les conditions de menuiserie.

Pour assurer un travail en toute sécurité sur la machine, il faut qu'elle soit vissée à l'établi ou vissée sur des pieds en option.

Le bâti de machine possède huit perforations filetées 5/16"-18UNC.

Quatre tiges filetées 5/16"-18UNC x 60mm, rondelles et écrous sont joints à la livraison pour une éventuelle fixation sur une table.

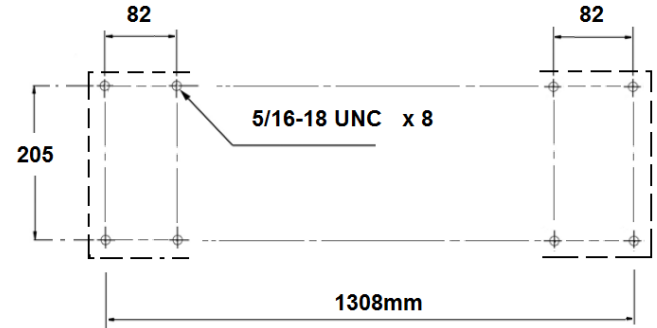


Fig 3

Pour des raisons techniques d'emballage la machine n'est pas complètement montée.

5.2 Montage

Avertir immédiatement votre vendeur si vous constatez des pièces endommagées par le transport et ne pas monter la machine.

Eliminer l'emballage en respectant l'environnement.

Enlever la protection antirouille avec un dissolvant.

Montage des pieds en fonte (JET Article # 719402):

Retirer la poupée fixe, la contre poupée et le support.

Retirer la cheville de butée (N, Fig 4).

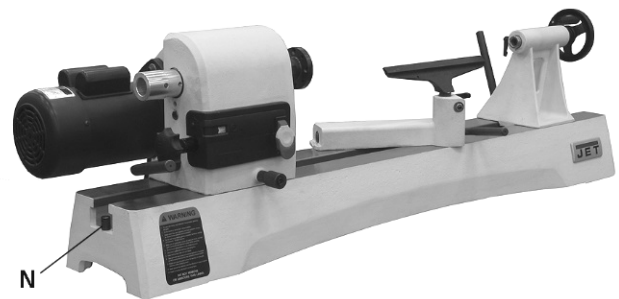


Fig 4

ATTENTION: Le bâti de la machine est lourd! Soyez prudent et demandez de l'aide.

Retourner le bâti avec précaution sur un tapis ou un carton qui protégera les rainures contre toute rayure.

Fixer les pieds de la machine avec 8 vis à six pans creux, des rondelles élastiques ondulées et des rondelles. Bloquer les vis avec une clé pour vis à six pans creux de 6 mm (Fig 5).

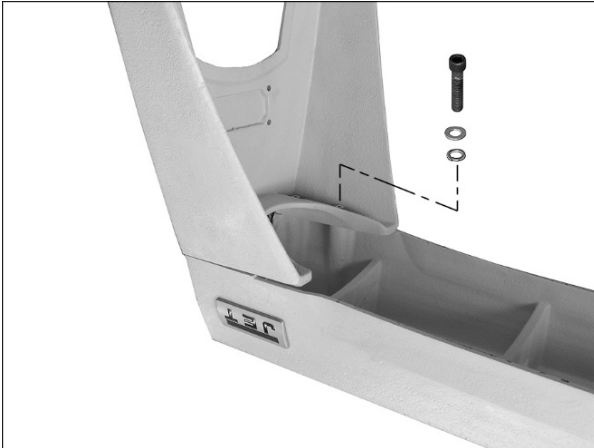


Fig 5

Monter les 4 vérins de niveau et bloquer les écrous par contre-écrous contre les pieds en fonte. Les vérins de niveau pourront être réglés plus tard (Fig 6)

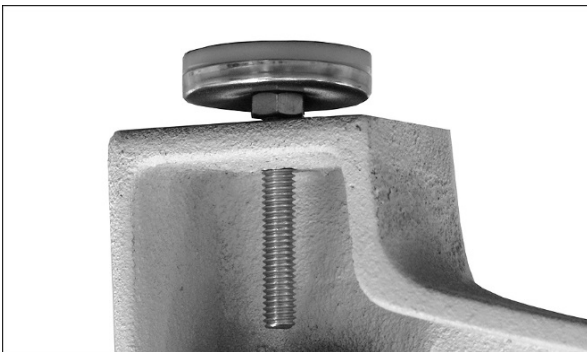


Fig 6

Demander de l'aide et remettre la machine sur pied.

Régler les vérins de niveau de façon à ce que la machine soit stable sur le sol. Bloquer les écrous par contre-écrous.

Monter la poupée fixe, la contre-poupée et le support (Fig 7).



Fig 7

Monter la cheville de butée (N, Fig 4).

Plateau :

Si vous le désirez, vous pouvez monter un plateau inférieur entre les pieds de la machine (voir Fig. 8)

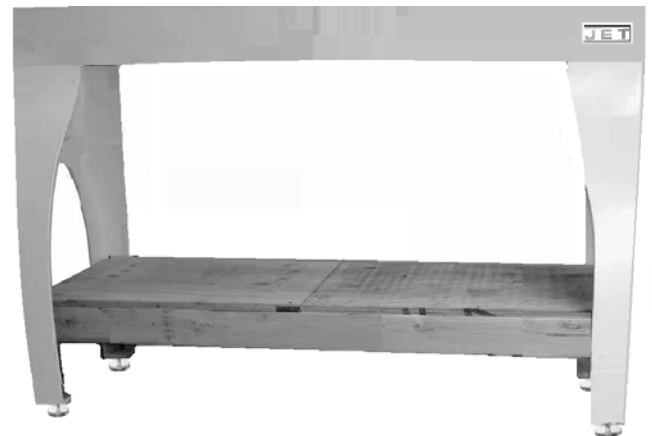


Fig 8

Montage de la rallonge du bâti de 508mm (JET # 719401)

La rallonge peut être fixée au bâti ou aux pieds en fonte.

Montage sur les pieds:

Pour travailler de plus grosses pièces en utilisant le support d'outils (Fig 9).

:



Fig 9

Montage sur le bâti de la machine:

Pour rallonger la distance entre les pointes

Demander de l'aide.

Monter la rallonge sur le bâti avec 4 vis à têtes cylindriques et des rondelles (P, Fig 10).

Tout d'abord ne visser les vis que légèrement.

Déplacer la cheville de butée du bâti sur la rallonge. (N).

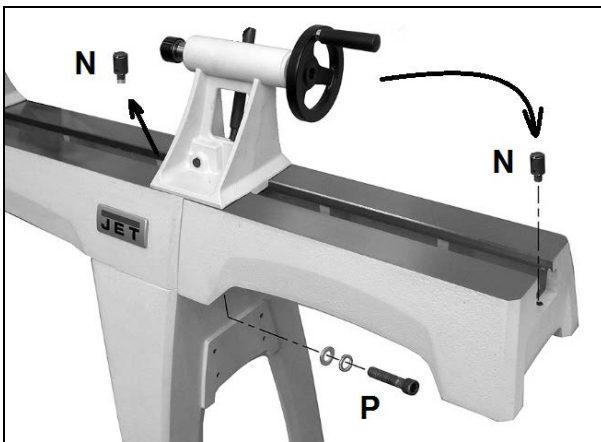


Fig 10

Les surfaces de guidage doivent être bien alignées afin de permettre un mouvement en douceur de la contre-poupée.

Déplacer la contre-poupée sur le raccord afin que la fixation de la contre-pointe soit positionnée sur les deux parties.
Bloquer la contre-poupée, ceci fixera les lits en alignement.

Bloquer alors les écrous (P).

5.3 Raccordement au réseau électrique.

Le raccordement ainsi que les rallonges utilisées doivent correspondre aux instructions. Le voltage et la fréquence doivent être conformes aux données inscrites sur la machine.

Le fusible de secteur électrique doit avoir 10A.

Utiliser pour le raccordement des câbles H07RN-F.

Tous travaux de branchement et de réparation sur l'installation électrique doivent être exécutés uniquement par un électricien qualifié.

5.4 Raccordement au collecteur de poussières

Utilisez un système de récupération des poussières et de filtration de l'air adapté pour éviter une concentration importante de poussières dans l'air

5.5 Mise en exploitation

Mettre la machine en route avec le bouton vert. Arrêter la machine avec le bouton rouge (B, Fig1).

6. Fonctionnement de la machine

6.1 Position correcte de travail

Toujours mener l'outil de tournage posé sur le support. Garder les doigts fermés et s'appuyer la main sur le support (Fig. 11 et 12).

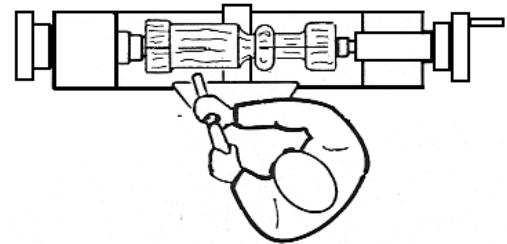


Fig 11

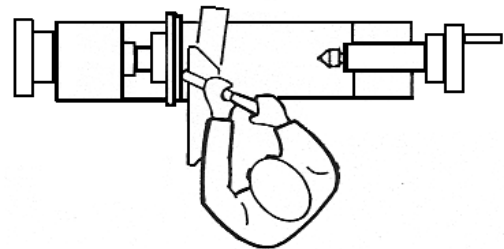


Fig 12

6.2 Choix des outils

Le succès du tournage ne dépend pas des grandes vitesses, mais de l'utilisation conforme des outils de tournage.

Une condition pour un tournage correct est un outil impeccable et aiguisé.

Les outils principaux :

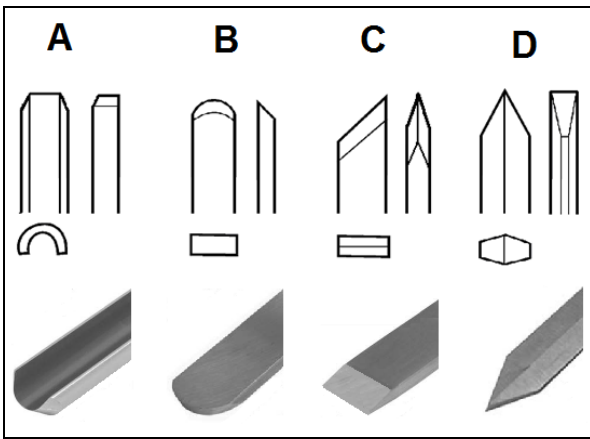


Fig 13

La gouge (A, Fig. 13). Outil le plus important, il sert au dégrossissage, au creusage des bols et assiettes et au tournage de rétrécissements (Fig.14).

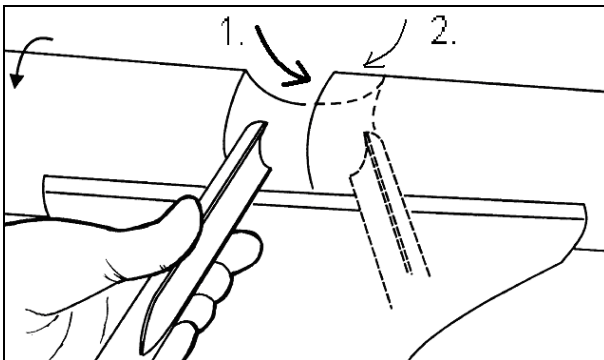


Fig 14

Racloir (B, Fig. 13). Sert au calibrage intérieur et extérieur et à l'élimination des stries d'usinage.

Biseau (C, Fig. 13). Sert au tournage de rainures en V et au calibrage extérieur. Tenir le tranchant parallèlement au sens de la coupe (Fig. 15).

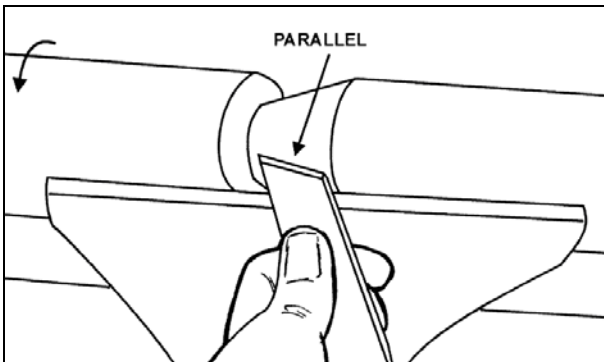


Fig 15

Piquet (D, Fig. 13). Sert au travail direct dans la pièce d'œuvre, par ex. pour détalonner et pour délimiter. Il peut aussi servir de racloir.

6.3 Choix de la vitesse de rotation:

Ne travailler les grosses pièces et les pièces non-équilibrées qu'avec des vitesses lentes.

En cas de vibrations arrêter la machine.

Respecter les vitesses conseillées.

Vitesses conseillées

| Pièce Ø mm | Rifler T/min | Travail général T/min | Dégrossir T/min |
|------------|--------------|-----------------------|-----------------|
| < 50 | 1250 | 2500 | 2500 |
| 50-100 | 700 | 1600 | 2500 |
| 100-150 | 480 | 1100 | 1600 |
| 150-200 | 400 | 900 | 1250 |
| 200-250 | 350 | 600 | 1100 |
| 250-300 | 350 | 480 | 900 |
| 300-350 | 350 | 350 | 600 |

6.4 Tournage entre les pointes:

Marquer et poinçonner les 2 extrémités de la pièce.

Pour les bois durs, il se peut que des entailles du côté de la poupée fixe soient nécessaires (voir Fig. 16).

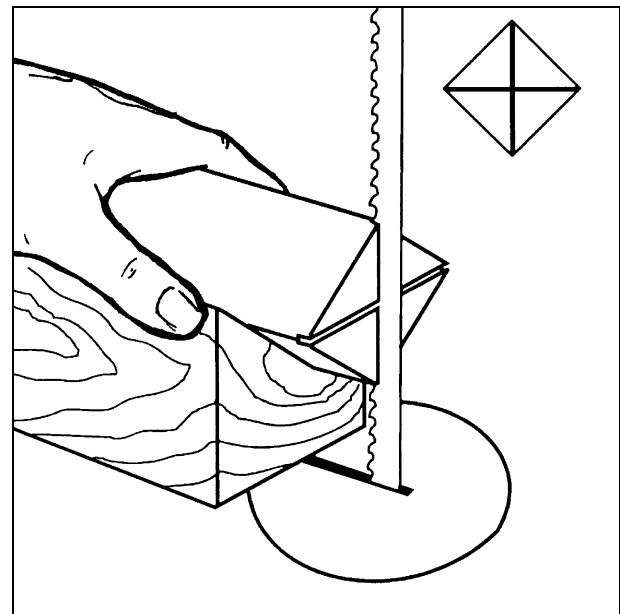


Fig 16

Introduire **le pointe d'entraînement** dans le cône de broche, et retirer avec l'éjecteur (Fig 17).

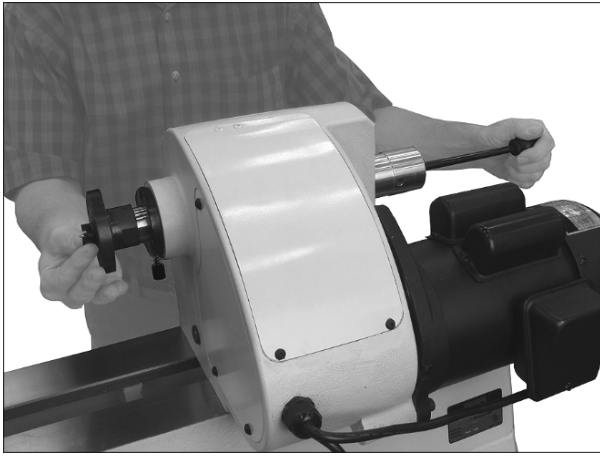


Fig 17

La contrepointe tournante est introduite dans la broche de contre-poupée et on peut la retirer en tournant le volant dans le sens contraire des aiguilles d'une montre (Fig 18).

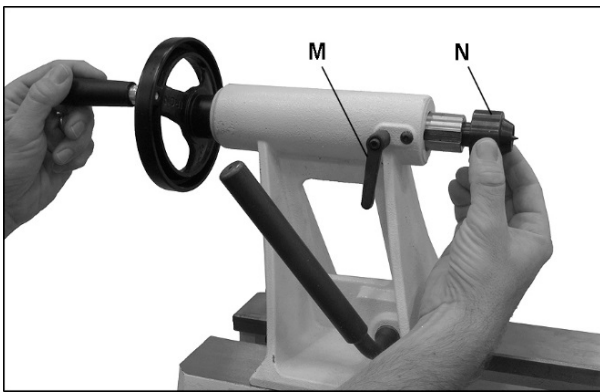


Fig 18

Serrer la pièce centrée entre la pointe de centrage et la contre-pointe tournante de la contre-poupée (Fig 19).



Fig 19

Tourner le volant de la contre-poupée jusqu'à ce que la contre-pointe tournante soit bien introduite dans votre pièce. Retourner le volant en sens inverse d'un quart de tour et serrer le fourreau de contre-poupée (M, Fig 18).

Tourner la pièce à la main et contrôler la fixation et la rotation impeccable.

Positionnez le support-outil aussi près que possible de la pièce et fixer la position.

Pour un travail entre les pointes ajuster la hauteur du support env. 3 mm au-dessus de la hauteur des pointes (Fig. 20, 21 et 22).

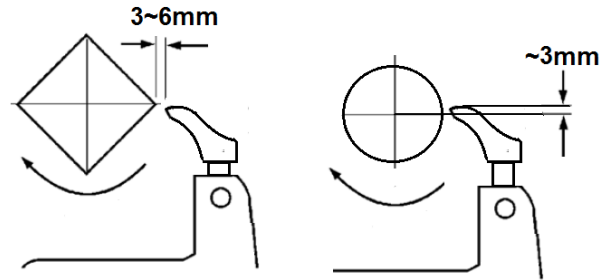


Fig 20



Fig 21



Fig 22

6.5 Tournage de bols et d'assiettes:

Tourner le contour extérieur entre les pointes.

Le tournage d'une petite cheville (T, Fig. 23) du même diamètre intérieur que le plateau circulaire facilite le positionnement central de la pièce d'œuvre lors de la 2e fixation.

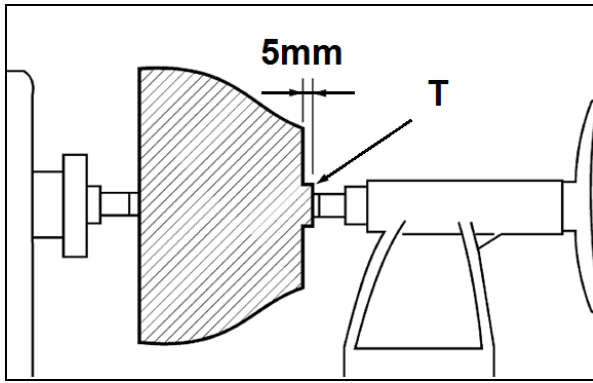


Fig. 23

Fixer la pièce à usiner (A, Fig. 24) avec 4 vis à bois (C) par derrière directement sur le plateau circulaire. Bien choisir les vis. Des vis trop longues débordent dans la zone de travail et des vis trop courtes ne garantissent pas une bonne fixation.

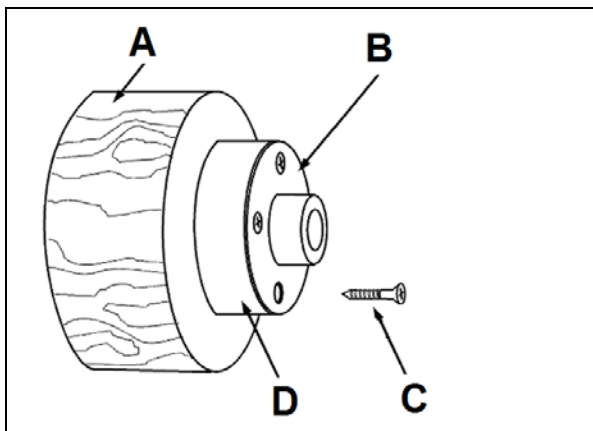


Fig. 24

Si la fixation par vis n'est pas possible, la pièce peut également être collée sur un support circulaire (D) pouvant être vissé sur le plateau circulaire.

En collant du papier entre les deux, vous évitez d'endommager la pièce en la retirant après.

Visser le plateau circulaire, sur lequel la pièce est déjà fixée, sur le nez de broche et serrer à la main.

Tourner la pièce à la main et contrôler la fixation et la rotation impeccable.

Positionnez le support-outil aussi près que possible de la pièce et fixer la position.

Pour un travail avec le plateau circulaire, ajuster la hauteur du support légèrement en dessous de la hauteur des pointes.

Attention: Ne travailler avec l'outil de tournage que sur la partie gauche du centre de rotation.

Conduire la gouge avec la main gauche pendant que la main droite oscille vers le corps (Fig. 25).

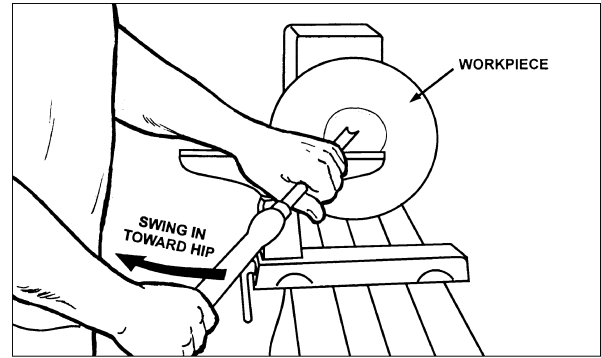


Fig. 25

Commencer l'enlèvement des copeaux sur le bord et conduire la gouge vers le fond du bol en un mouvement aussi continu que possible.

Déplacer le support vers l'extérieur et terminer le tournage du fond du bol.

6.6 Poncer et imprégner:

Retirer le support.

Commencer le travail avec du grain 120 puis utiliser du grain de plus en plus fin.

Utiliser de préférence des outils de ponçage mécaniques afin d'éviter des rainures concentriques.

Arrêter le travail avec le grain 220

Imprégner une 1ère fois et laisser sécher.

Terminer le ponçage avec les grains 320 ou 400.

Séparer peu à peu la pièce de la cheville avec un ciseau (pour les diamètres inférieurs à 80 mm, utiliser une petite scie à main).

Imprégner une 2^e fois et laisser sécher.

Terminer le polissage de la surface.

7. Réglages

Attention

Faire tous les travaux de maintenance ou de réglage après avoir débranché la machine du réseau.

7.1 Changement des vitesses

La vitesse de rotation de la broche peut être modifiée avec la poignée tournante (B, Fig 26). La vitesse de rotation en T/min est affichée sur l'écran (C).

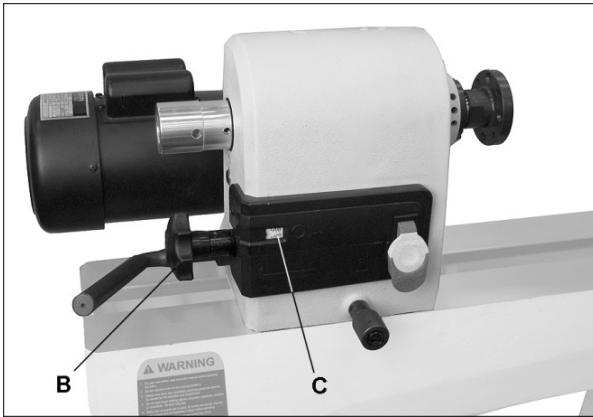


Fig 26

Attention: Changer de vitesse seulement pendant que la machine tourne, cela évite un endommagement du réglage de vitesse Variomatic.

7.2 Blocage de la broche.

Appuyer sur la goupille en poussant vers le haut (P, Fig 27) et faire tourner la broche jusqu'à ce que la goupille s'encliquète complètement. Appuyer sur la goupille aussi longtemps que le blocage de la broche est souhaité.

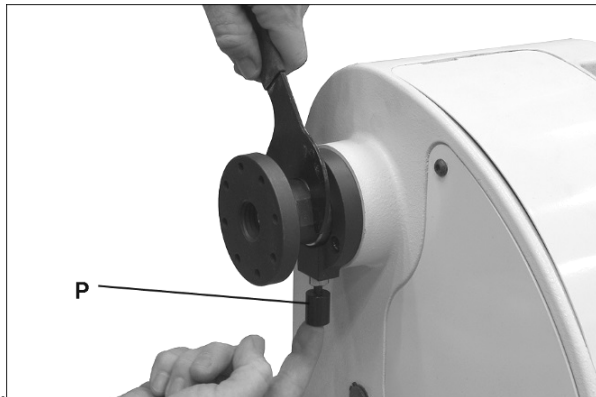


Fig 27

Attention:

Ne faire ce blocage que sur la broche à l'arrêt.

7.3 Pivotement de la poupée fixe

Desserrer le levier de serrage (B, Fig. 28) en le tournant dans le sens inverse des aiguilles d'une montre.

Pour le basculement, desserrer le blocage de la poupée fixe (A) et tirer le levier de serrage (B).

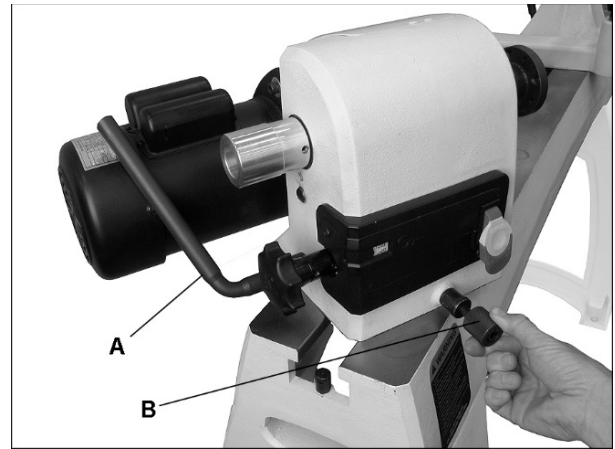


Fig 28

Pour le tournage de grosses pièces, faire pivoter la poupée à 90° et adapter la console au support.

Avertissement : N'utiliser la machine qu'après avoir fixé le dispositif de blocage de la poupée fixe et vissé le levier de serrage.

La poupée fixe peut être fixée n'importe où le long du châssis.

7.4 Division de l'arbre

Déconnecter la machine du réseau.

Visser la goupille indicatrice dans l'orifice (L, Fig. 29) de la poupée fixe.

Sur l'arbre, il y a 12 trous séparés de 30°.

Les 3 trous de la poupée fixe sont séparés de 20°.

La combinaison de ces orifices permet la division de l'arbre tous les 10°.

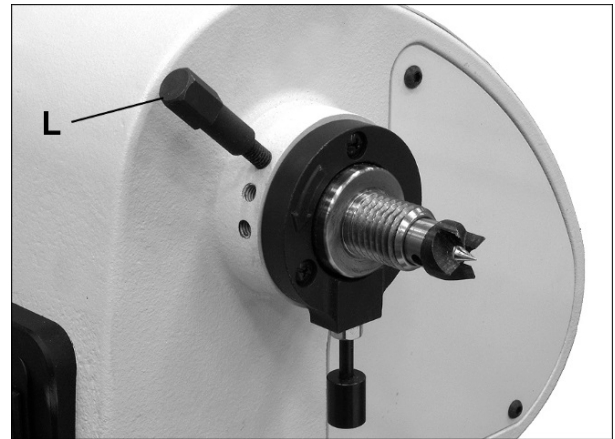


Fig. 29

7.5 Montage du moyen de tension

Le plateau circulaire sert au tournage des bols et des assiettes.

De nombreux trous y sont percés afin de fixer la pièce d'œuvre.

Visser le plateau circulaire sur la broche dans le sens des aiguilles d'une montre et le bloquer avec 2 vis sans tête.

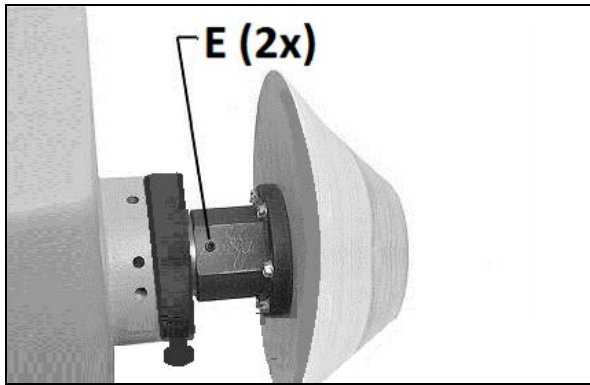


Fig 30

Démontage:

Desserrer les 2 vis sans tête avant de dévisser le plateau circulaire.

Bloquer la broche, pour cela utiliser la clé à fourche livrée avec la machine.

7.6 Réglage du support-outil

Un support d'outil de 300 mm est joint à la livraison. Il est réglable en hauteur et dans la position souhaitée.

Desserrer le levier de serrage (G, Fig 31) et positionner la base du support d'outil dans la position souhaitée. Il faut le bloquer soigneusement avant de remettre la machine en marche.

Desserrer la poignée de l'axe (H) afin de modifier la hauteur et l'angle du support d'outil. Il faut la bloquer soigneusement avant de remettre la machine en marche.

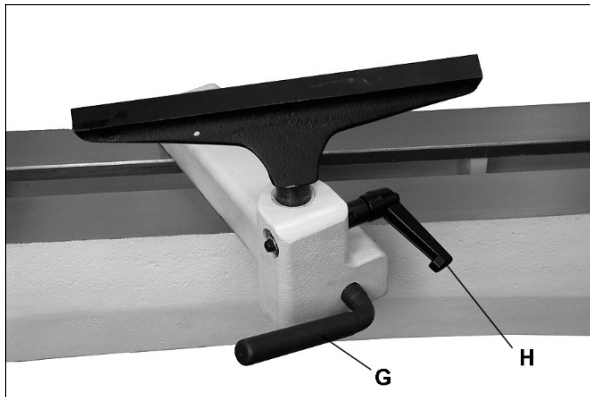


Fig 31

Console pour support d'outils :

La console (J, Fig 32) permet une plus grande portée du support d'outil. C'est tout particulièrement intéressant pour travailler avec poupée fixe pivoté.

Pour l'emboîtement de la queue positionner les manchons de serrage (K) dans un écartement suffisant.

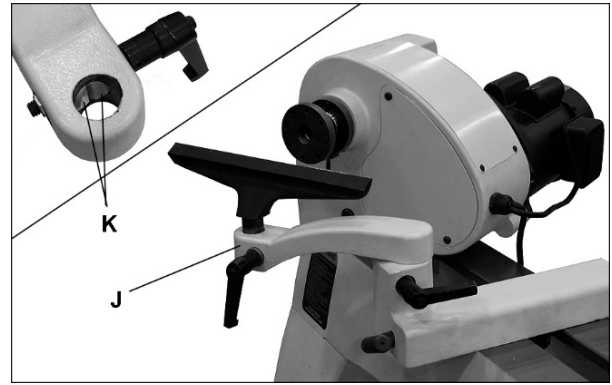


Fig 32

7.7 Réglage contre-poupée

Tourner le volant (R, Fig. 33) dans le sens des aiguilles d'une montre pour sortir le fourreau et bloquer le levier de serrage (Q).

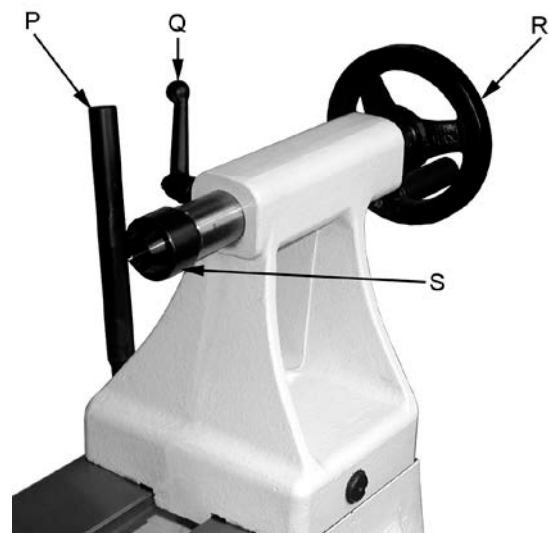


Fig. 33

La poignée (P) fixe la contre-poupée au bâti de la machine.

Le pointeau (S) peut être éjecté en tournant le volant dans le sens inverse des aiguilles d'une montre.

Pour le forage de trous profonds enlever la pointe de centrage du pointeau.

8. Entretien et inspection

Attention

Faire tous les travaux de maintenance, réglage ou nettoyage après avoir débranché la machine du réseau!

Nettoyer la machine régulièrement.

Vérifier chaque jour le fonctionnement impeccable du collecteur de poussières.

Remplacer immédiatement les dispositifs de protection endommagés ou usés.

Tous travaux de branchement et de réparation sur l'installation électrique doivent être exécutés uniquement par un électricien qualifié.

8.1 Réglage de fixation

Si un réglage ultérieur est nécessaire, retirer tout d'abord l'écrou de butée (N, Fig 4).

Repousser la poupée fixe, la contre poupée ou le support à l'extrémité du châssis et régler légèrement l'écrou (F, Fig 34).

Vérifier l'effet de serrage.

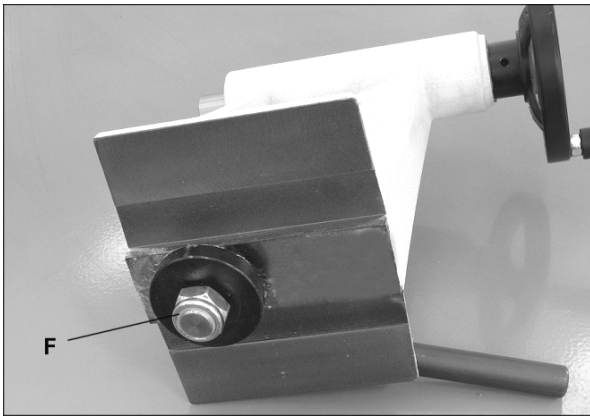


Fig 34

8.2 Graissage de l'entraînement de la courroie

Toutes les 200 heures de travail (tous les 30 jours de travail).

Retirer les deux couvercles en tôle de la poupée fixe.

Utiliser une pompe à graisse ainsi qu'une bonne graisse universelle et graisser le raccord de graissage de la broche du moteur (Fig 35) et la rainure de la broche principale (Fig 36)

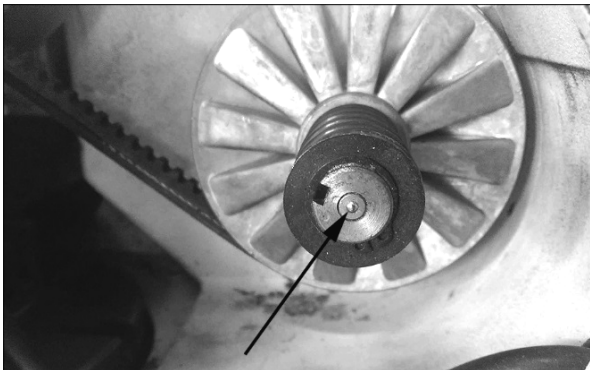


Fig 35

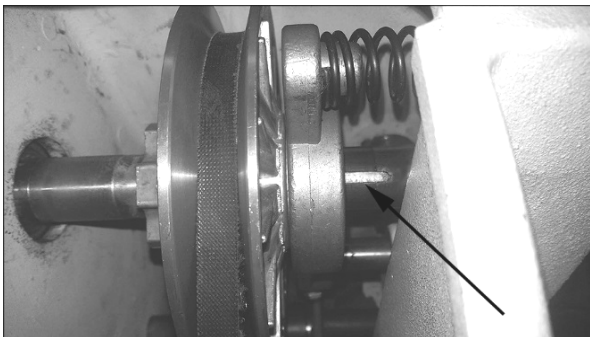


Fig 36

Remonter les couvercles.

8.2 Changement de courroie et de palier

Les changements de courroie et de palier sont difficiles à effectuer.

Porter toute la poupée fixe dans un atelier de réparation.

9. Détecteur de pannes

Moteur ne se met pas en route

*Pas de courant-
Vérifier le voltage.

*Défaut au moteur, bouton ou câble-
Contacter un électricien qualifié.

Vibration violente de la machine

*La machine n'est pas sur un sol plat-
Repositionner la machine.

*La pièce n'est pas centrée

*La vitesse est trop haute

La contre-poupée se déplace

*La fixation excentrique est mal réglée-
Ajuster l'écrou.

*Les surfaces de contact bâti/contre-poupée sont graisseuses ou huileuses-
Retirer la contre-poupée et nettoyer les surfaces de contact

*La pression de la contrepointe tournante est trop importante-
Positionner la contre-poupée à droite, contre la butée (N, Fig 10).

Mettre la poupée fixe en bonne position puis établir la pression.

10. Protection de l'environnement

Protégez l'environnement !

Votre appareil comprend plusieurs matières premières différentes et recyclables. Pour éliminer l'appareil usagé, veuillez l'apporter dans un centre spécialisé de recyclage des appareils électriques.

11. Accessoires

Numéro d'article 719402

Pieds en fonte grise avec vérins de niveau.



Numéro d'article 719401

Set comprenant une rallonge du bâti de 508mm et un manche de rallonge pour le support d'outil.



Numéro d'article 719001

Dispositif de pivotement de la contre-poupée.



Numéro d'article 708331

Contrepointe tournante CM2

Numéro d'article 708343K

Mandrin de 13 mm, avec porte-pièce CM2

Numéro d'article 709911

Plaque de fixation 75mm, M33x3,5

Numéro d'article 709942

Pointe d'entraînement CM2

Numéro d'article 708332

Masque protecteur du visage

Outils et moyens de tension voir liste de prix JET.